



A BRIGHTER FUTURE
UK LED lighting

Micro X LED Bar 40mm

50,000 Hours

LDT / IES Files

IP54

High CRI option

Dimmable



Part No.

E-28-2EC4-24-240-4-SSC2

LED Pitch

40mm

CCT

2400k / 2600k / 2800k / 3000k / 4000k / 5700k

Lumen CRI 85

562 / 680 / 730 / 797 / 866 / 940

CCT

2600k / 2800k / 3000k / 4000k

Lumen CRI 92

465 / 504 / 601 / 645

Beam Angle

120°

Power Consumption (per metre)

8.8 Watts

Volt/DC

24

Chip Used

5630 Seoul Semi conductor

PCB Length (mm)

240 / 120

Flat end cap combined length (mm)

3+3=6

Straight end cap combined length (mm)

11+11=22

Maximum serial connection (mm)

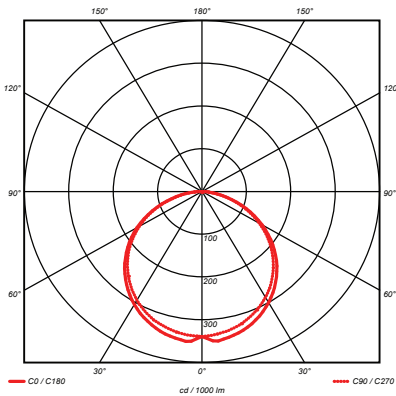
4800

Tc point °C

45

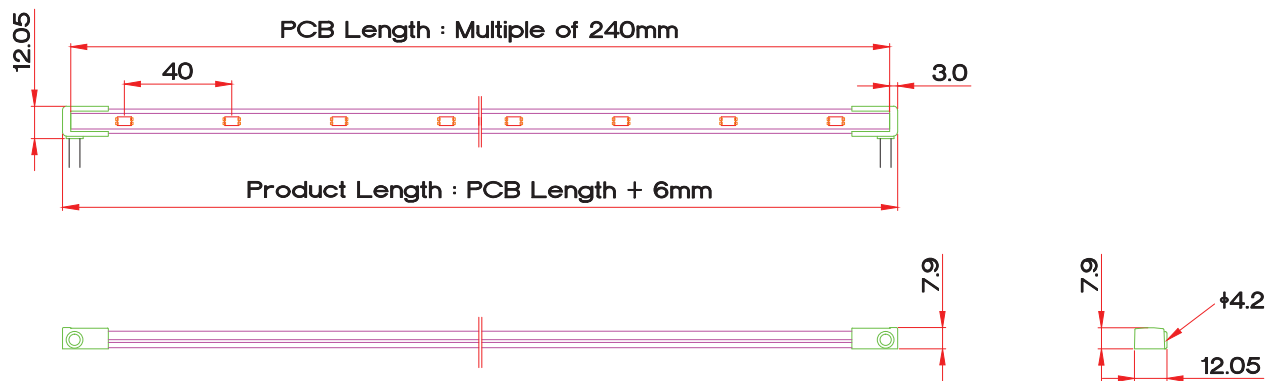
Lumen/Watt

63-106

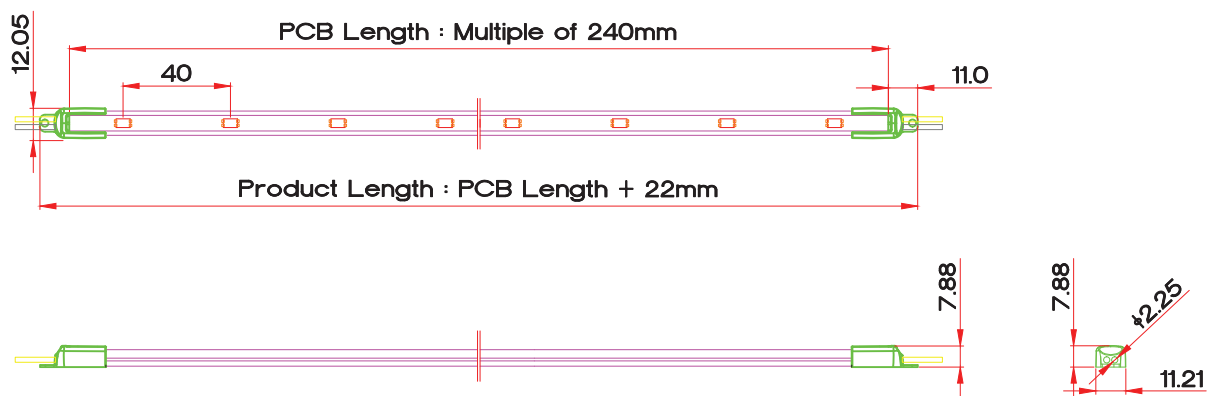


Dimensions

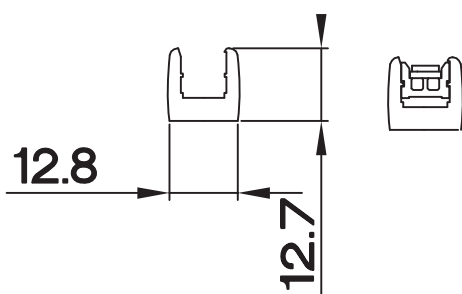
Flat end side wired end cap



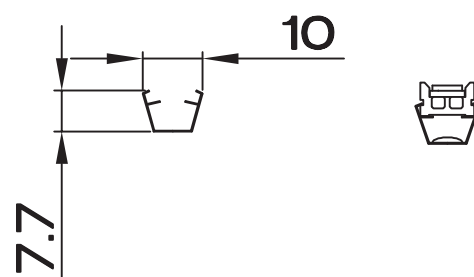
Straight end cap with fixing lug



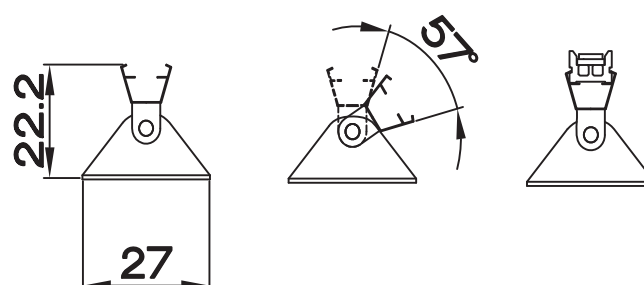
nylon fixing clip



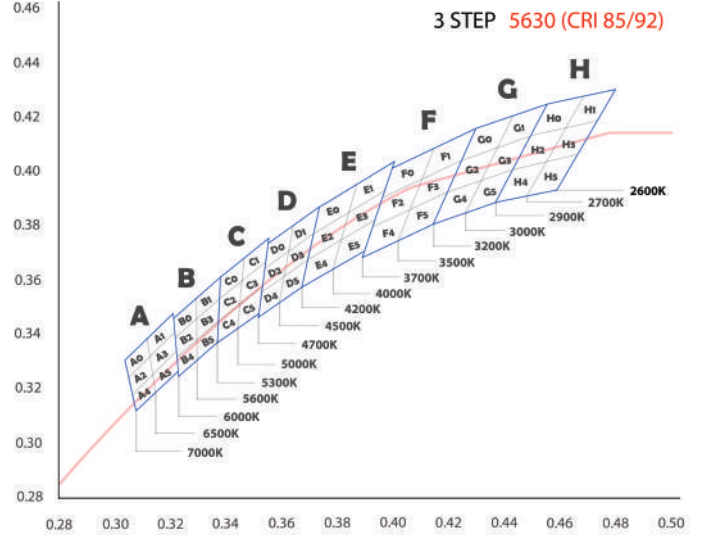
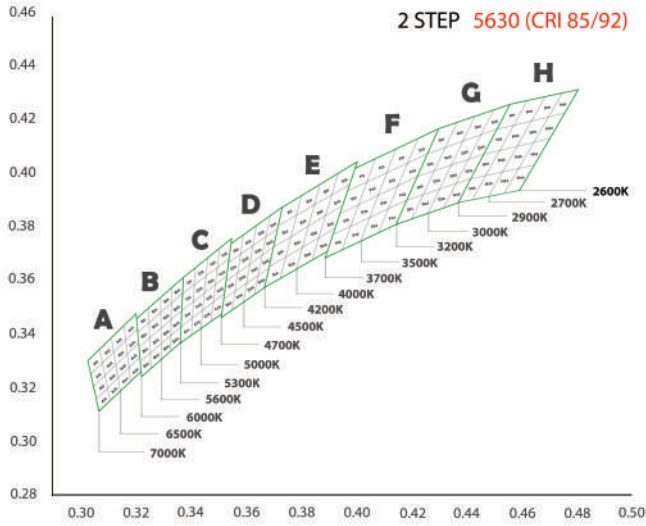
stainless steel fixing clip



adjustable stainless fixing clip



Binning 2 or 3 step MacAdam Ellipse



3 Step MacAdam Ellipse by default

Part numbering key

