



A BRIGHTER FUTURE

UK **LED** *lighting*

## QZR 25mm Pitch Reflector

LDT /IES files

IP20-65

50,000 hours life

Djimmable

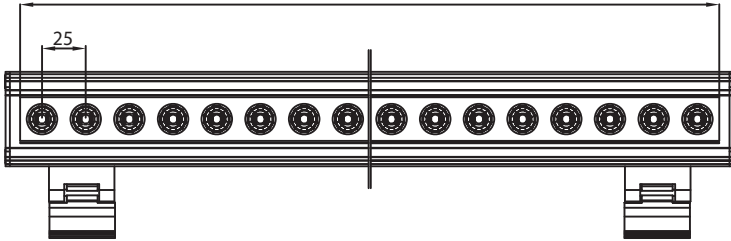


|                                |                               |
|--------------------------------|-------------------------------|
| Part No.                       | E-30-1HC3-24-150-5-Q60SC2     |
| LED Pitch                      | 25mm                          |
| Colour                         | 2700k / 3000k / 4000k / 5700k |
| Lumen                          | 1231 / 1319 / 1389 / 1459     |
| Beam Angle                     | 60°                           |
| Power Consumption (per metre)  | 17.6 Watts                    |
| Volt/DC                        | 24                            |
| Chip Used                      | LG 5050 1W                    |
| PCB Length (mm)                | 120                           |
| End cap combined length (mm)   | 13.4 IP65 / 11.4 IP20         |
| Maximum serial connection (mm) | 7950                          |
| Tc point °C                    | 45                            |
| Lumen / Watt                   | 70-83                         |

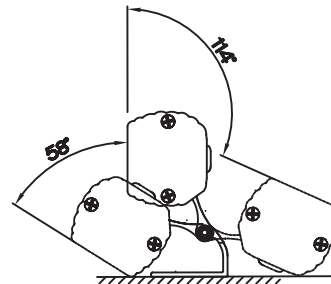
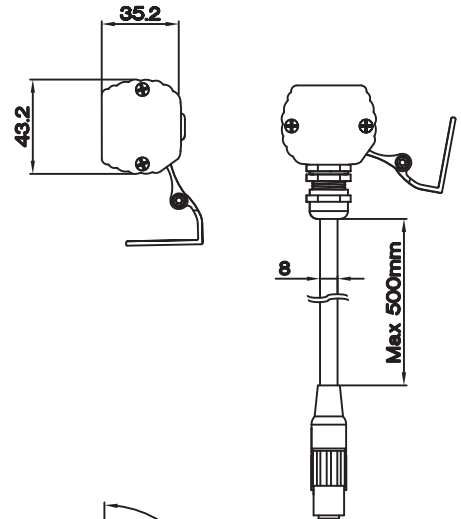
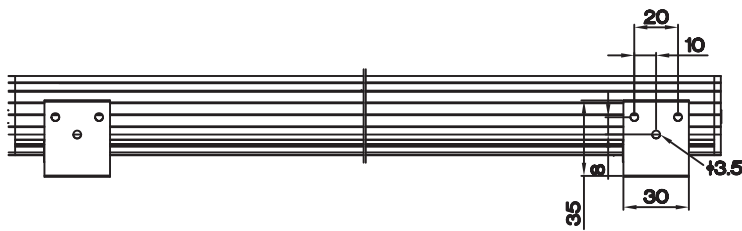


# Dimensions

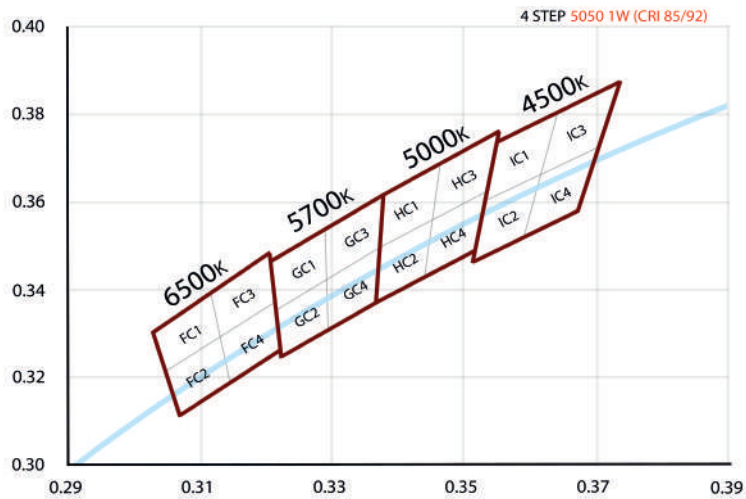
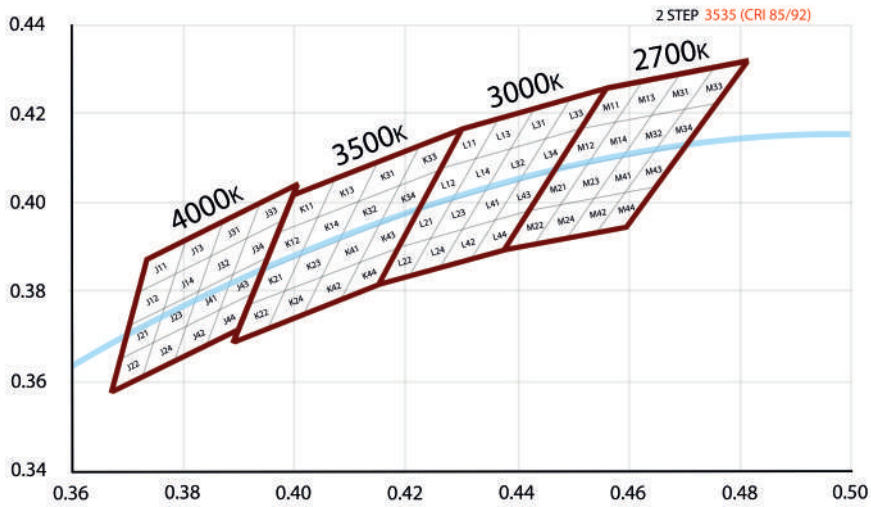
PCB Length : Multiple of 150mm



Product Length : PCB Length + 13.4mm



# Binning 2 Step - 4 Step MacAdam Ellipse



## Part numbering key

