

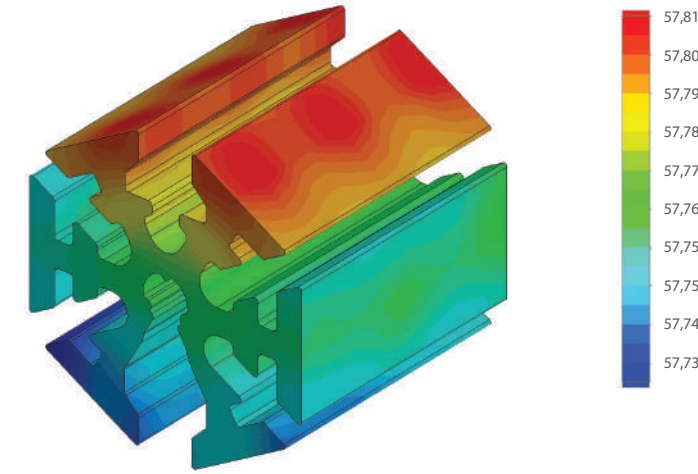
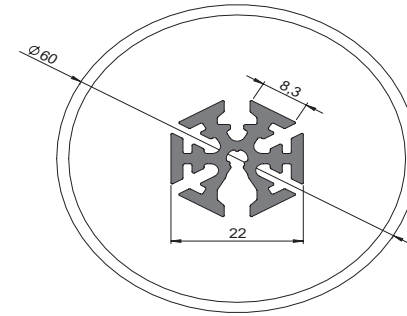
# ALU360 LED PROFILE

ALU360; ø60 mm

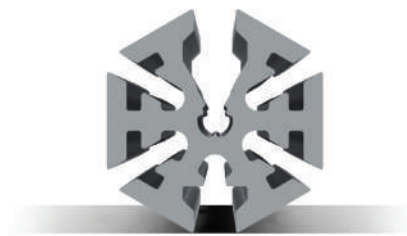
We proudly present our new ALU360 profile, which is first extrusion in our wide offer with 360 degree LED. It was achieved by innovative aluminum rails (heavy duty heat sink) mounted inside polycarbonate satin – mat finish diffuser. Hiding aluminum profile inside the diffuser allowed to accomplish another 'LEDs dot free' solution. Trying to satisfy each customer's requirements profile will be available in custom lengths up to 2000 mm. Dedicated components such as anodized aluminum end caps complete our clean design, providing an elegant suspended solution.

AL-RO360  
AB-RO360  
EC-RO360  
3-DURIS

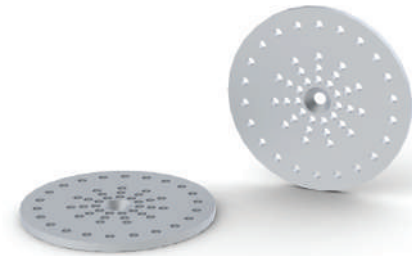
AL-RO360  
AB-RO360  
3-DURIS



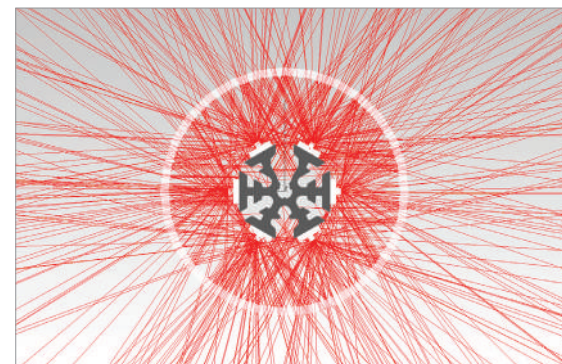
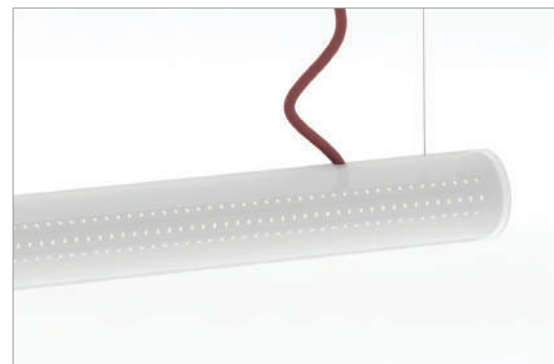
Temperature (Solid) [°C]  
Ambient temperature : 25° C



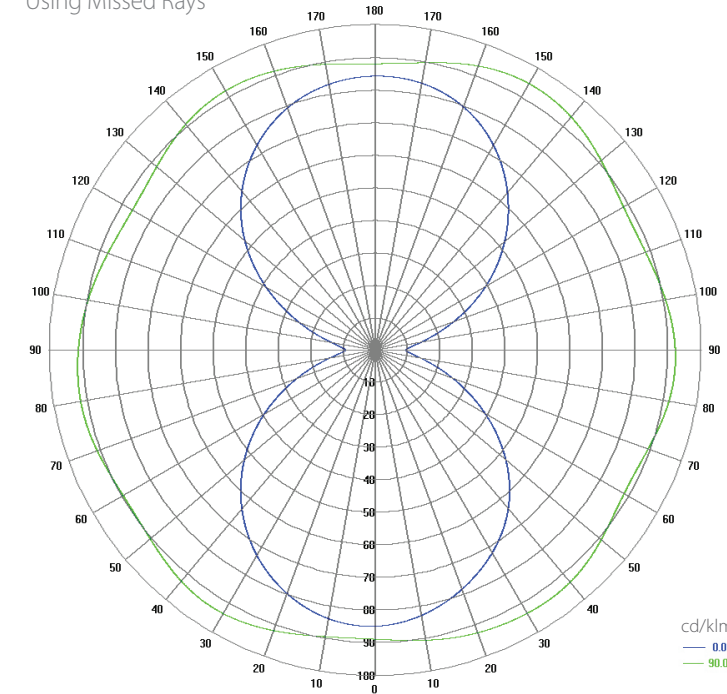
Cross section view of AL-RO360



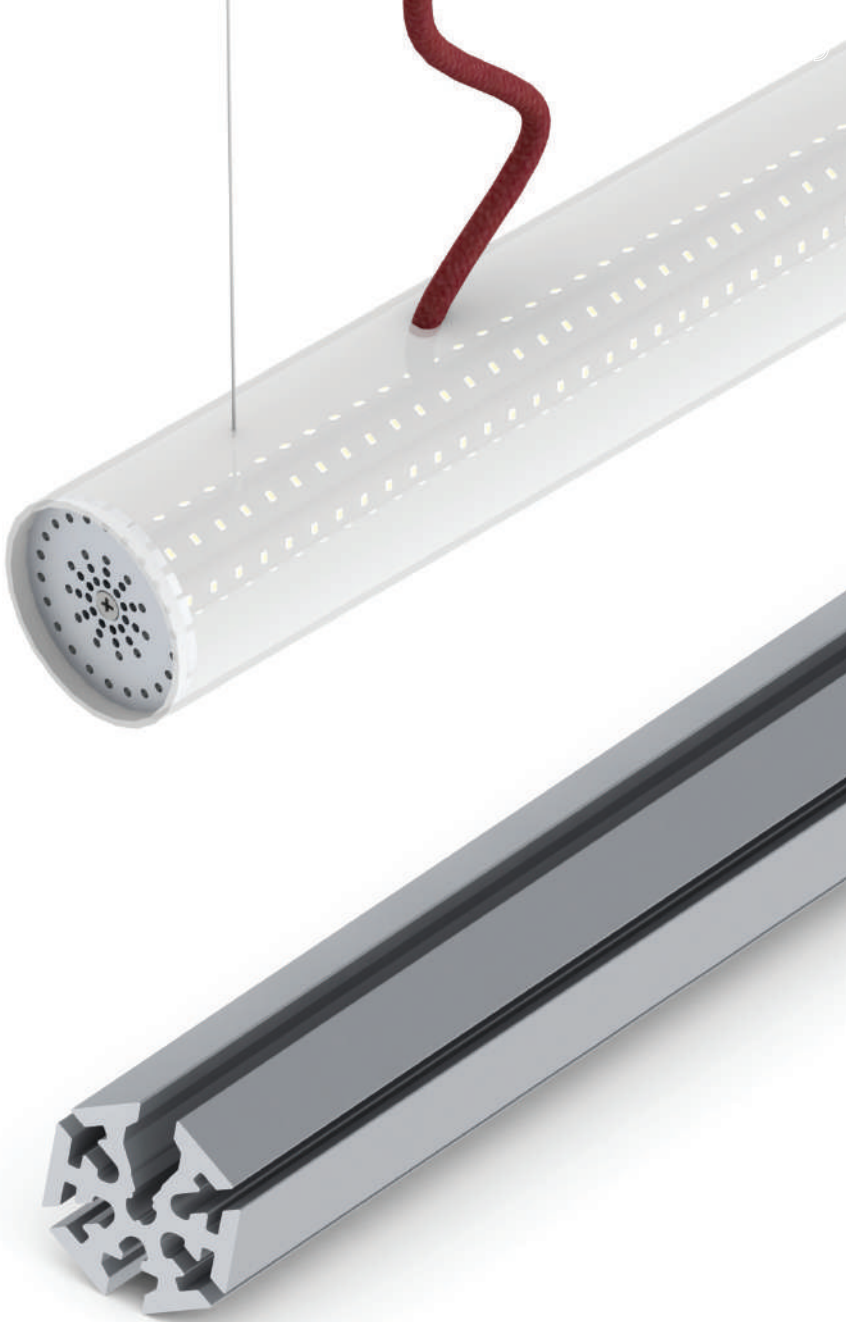
Aluminum end caps  
EC-RO360



Polar Candela Distribution Plot  
Using Missed Rays



AL-RO360  
AB-RO360  
EC-RO360  
3-DURIS



AL-RO360 Led Profile