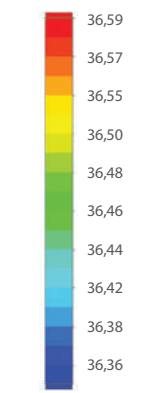
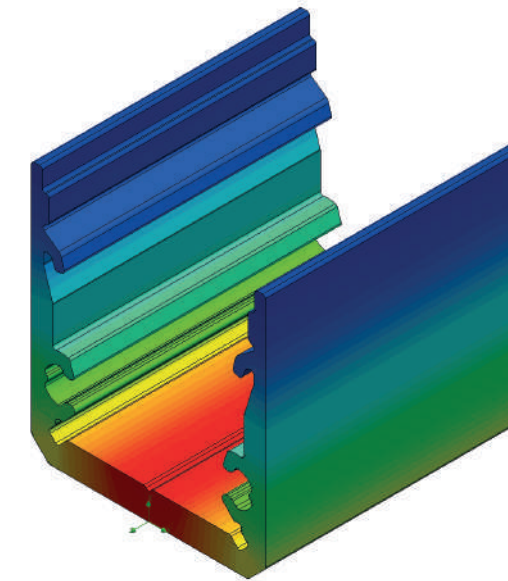
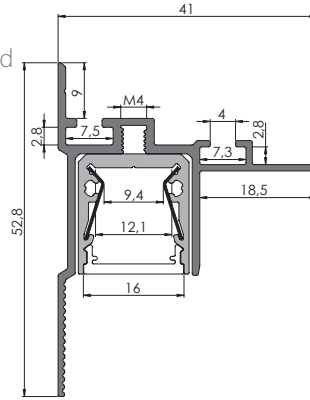


# ALU COVE 2 LED PROFILE

ALU-COVE 2; 52,8 x 41 mm

In addition to 'Cove1', our latest extrusion 'Cove2' is also made of high-quality aluminum, designed to be recessed into walls & ceilings. It is devised to be used together with Groove 15 LED Profile. This simplified installation, makes it a two-step process: using the perforated edges, the base is screwed then plastered into the wall and ceiling & the insert profile slides in secured by M4 thread screw. Additionally, Cove 2 profile is also suitable for linear connectors allowing to create uniform lines of light up to desired lengths. Together with it comes dedicated end caps making it a complete aesthetic design. All above features provide a complete system to be able to wash down a wall with a homogenous light, without a complicated installation process.

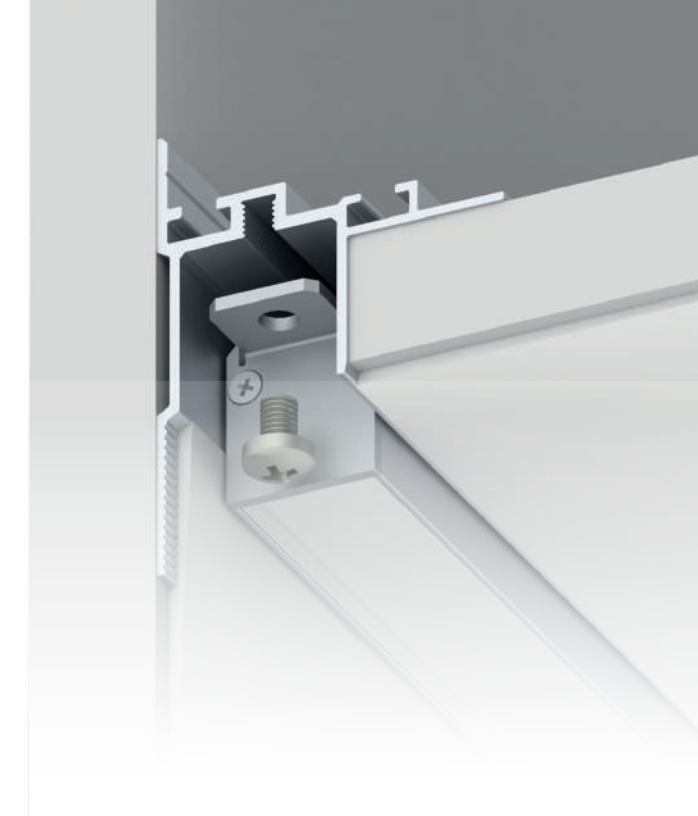


Temperature (Solid) [°C]  
Ambient temperature : 25° C

Installation mode for test purpose: surface



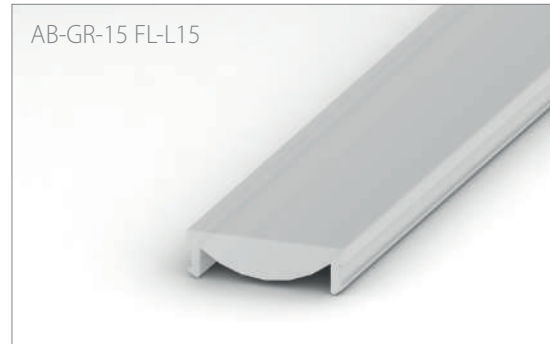
Cross section view of ALU COVE 2



AL-COVE2  
AL-GR15 FL  
AB-GR15 FL  
AL-REF13-B60



Aluminum end caps  
EC-GR-15 FL-H1

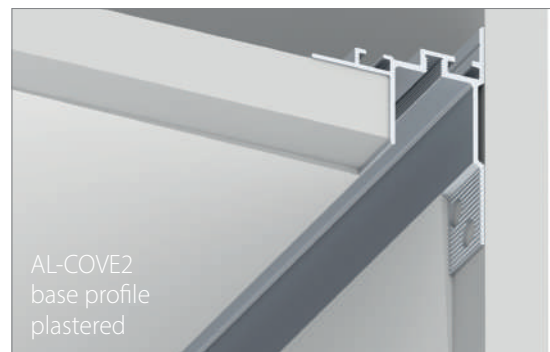


AB-GR-15 FL-L15



Linear Connector LC-LIN

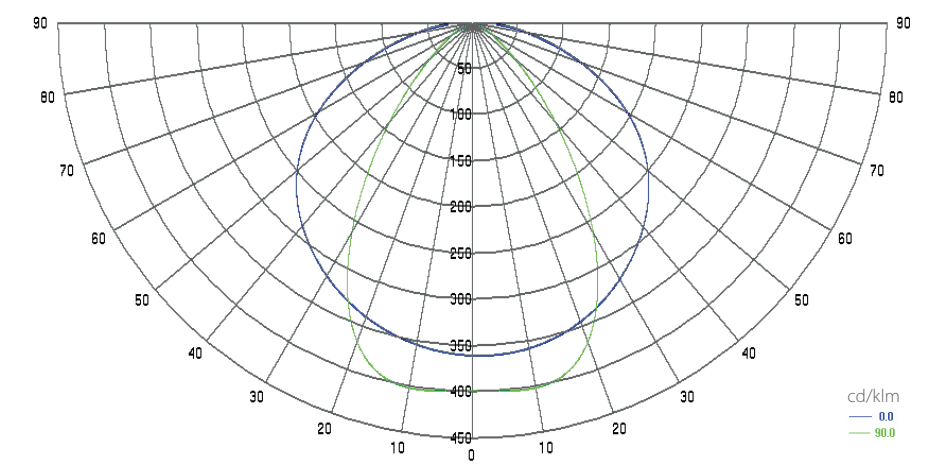
AL-GR-15 FL  
AB-GR15 FL  
AL-REF13-B60  
EC-GR15 FL-H1



ALU-COVE2  
base profile  
plastered

Polar Candela Distribution Plot Using Missed Rays

Light distribution diagram with AB-SL FL / with reflector



Light distribution diagram with AB-SL15 FL-L15 / without reflector

