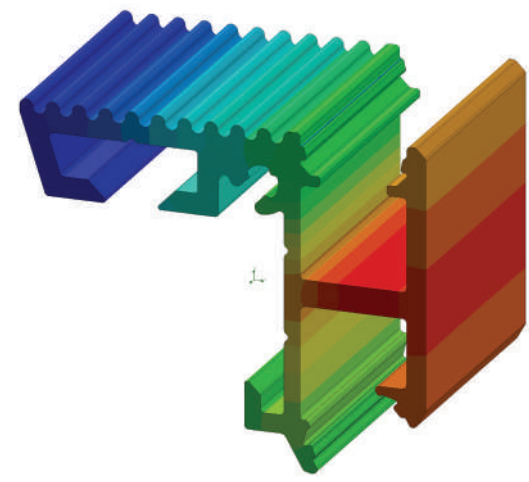
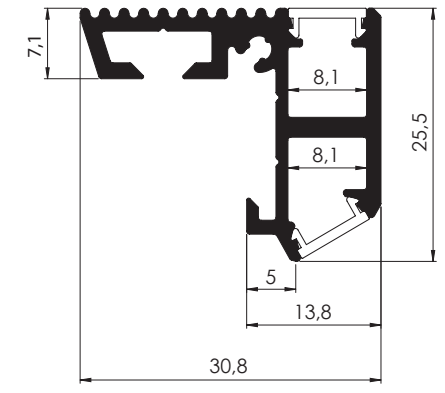


AL-STN
AB-SS

ALU STAIR NANO

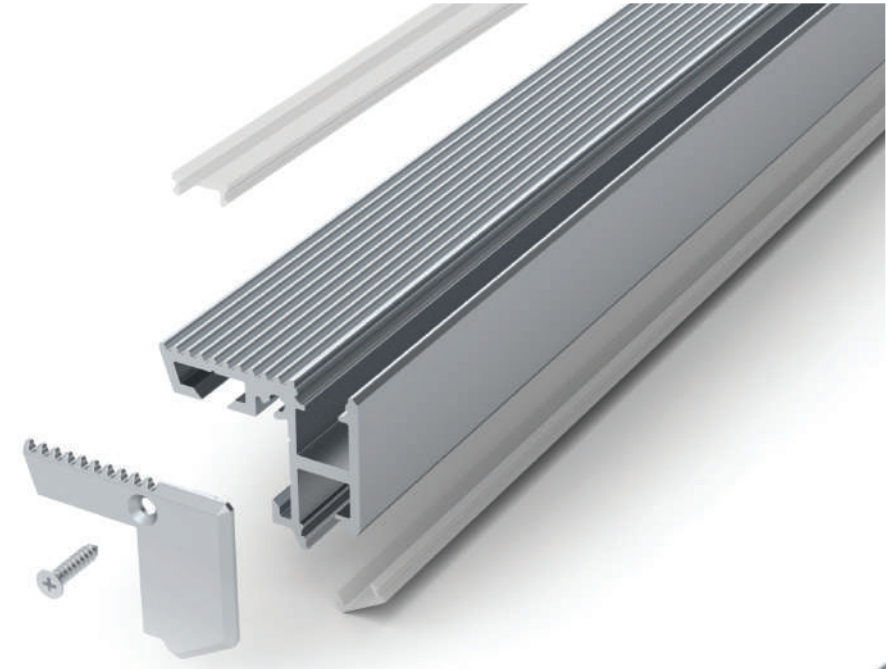
ALU STAIR NANO; 30 x 25 mm

Alu Stair Nano is our smallest walk over safe LED Stair profile. It is built with high density aluminium to cope with the application of being stair mounted. With even diffusion of the LED and good heatsink properties this profile is there to provide a quality illumination both up and down. This profile can be installed with tile or carpet floors and can be manufactured to custom design lengths.

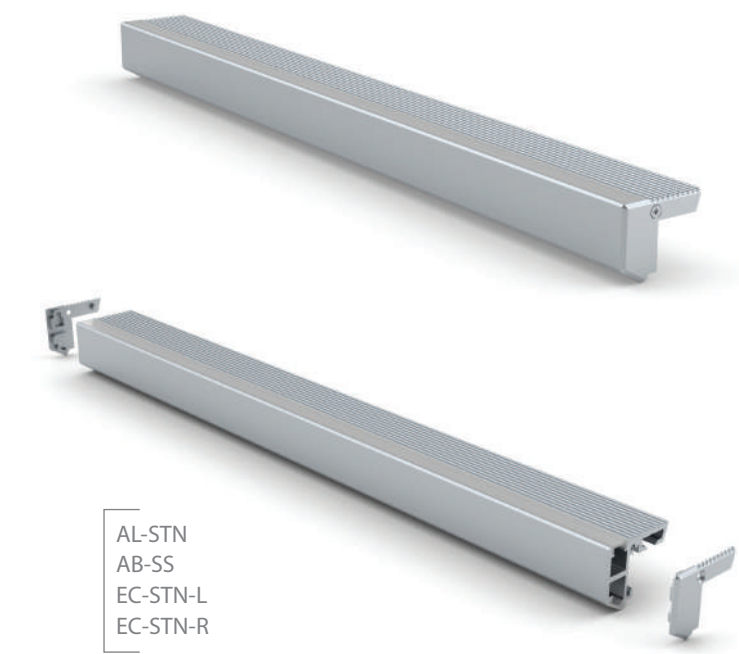


42,89
42,82
42,75
42,69
42,62
42,55
42,49
42,42
42,35
42,28

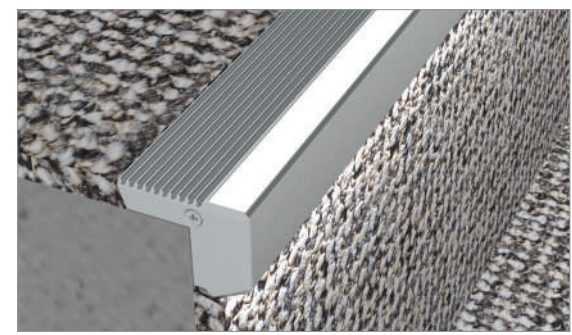
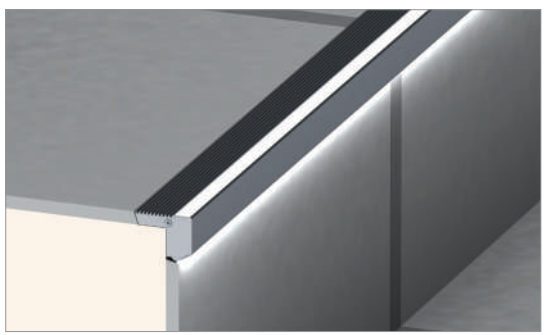
Temperature (Solid) [°C]
Temperature ambient: 25°C
Total power: 19,8W/m (252 LEDs)



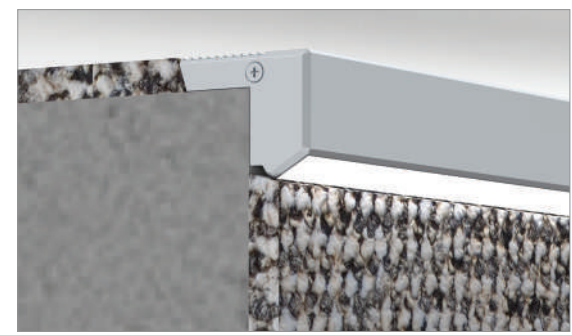
AL-STN
AB-SS
EC-STN-R



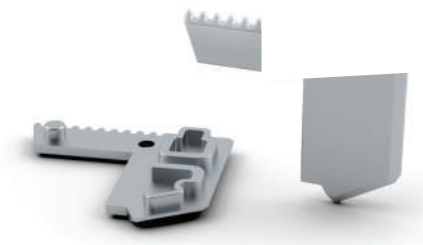
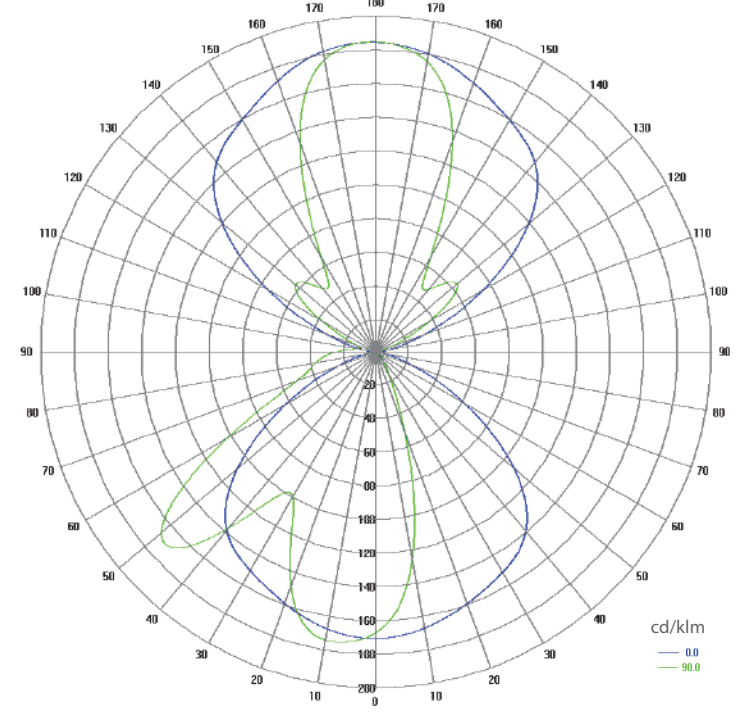
AL-STN
AB-SS
EC-STN-L
EC-STN-R



ALU STAIR NANO
Stair Mounting



Polar Candela Distribution Plot
Using Missed Rays



End Caps EC-STN/L/R

