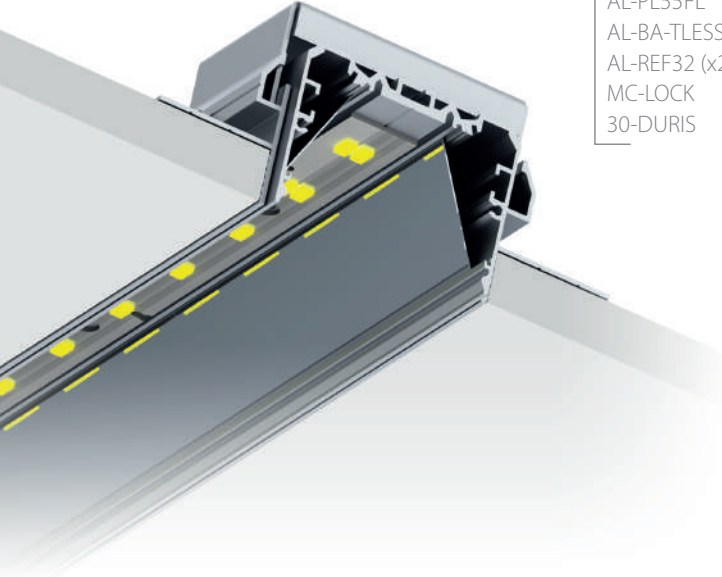


SPL55 FL in trimless installation

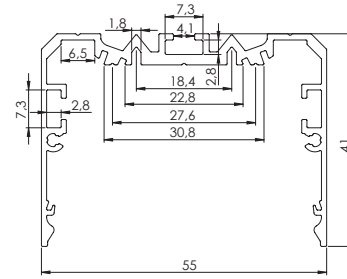


AL-PL55FL  
AL-BA-TLESS (x2)  
AL-REF32 (x2)  
MC-LOCK  
30-DURIS

## Smooth Power Line 55

SPL55FL; 55 x 41 mm

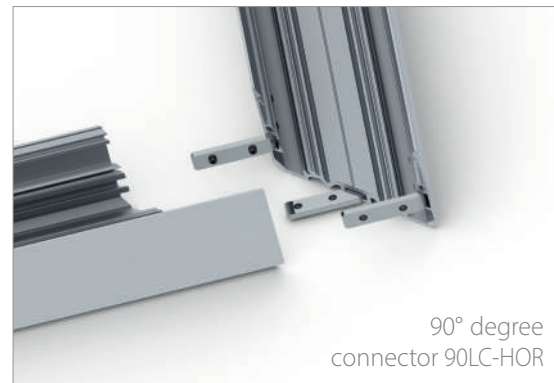
SPL55 FL is a new version of the POWER LINE 55. This multifunctional LED profile can be both suspended, installed on a flat surface and also built in a trimless manner. With this profile you can easily mount LED light sources with a power of up to 36 W/m without worrying about the overheating of the luminaire. The profile has been designed in such a way that it can be equipped with reflectors made of highly polished aluminium with a high reflectivity (> 95%). In addition, the reflectors can be set in two positions to get a narrow or a wide light distribution depending on your needs. The profile has been designed so that there are no visible points of light. SPL55 FL is available with matt or two prismatic diffusers: transparent and opal. Thanks to the available accessories, such as the line and angle connectors along with the safety cables the installation process is safe and easy.



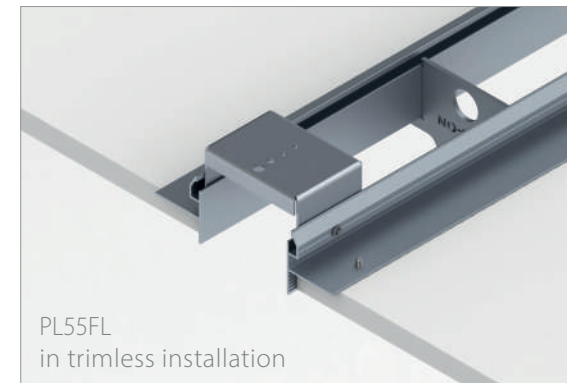
Mounting Brackets  
MC-PL55

MC-KEY-PL55

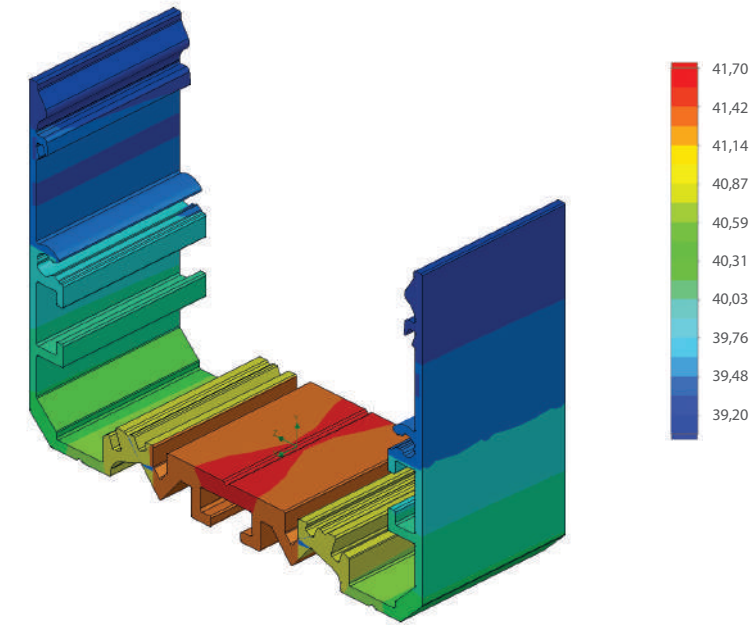
Aluminum end caps  
EC-PL55FL



90° degree  
connector 90LC-HOR

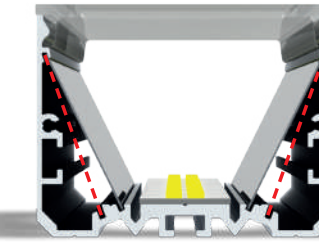


SPL55FL  
in trimless installation



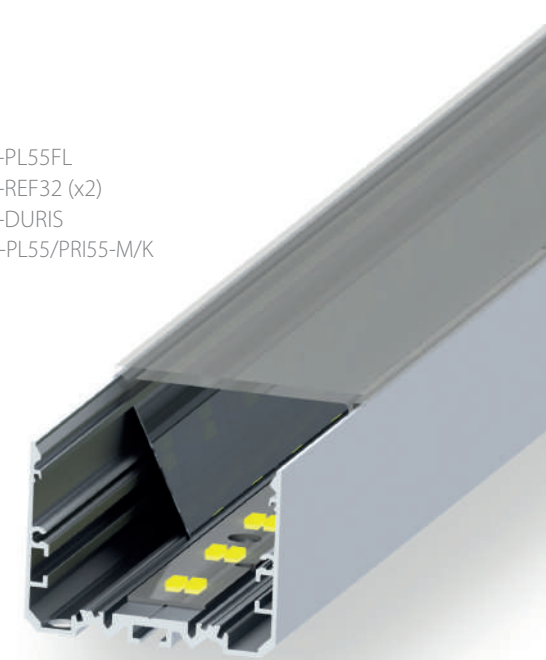
Temperature (Solid) [°C]  
Temperature ambient: 25°C

Installation mode for  
test purpose: pendant



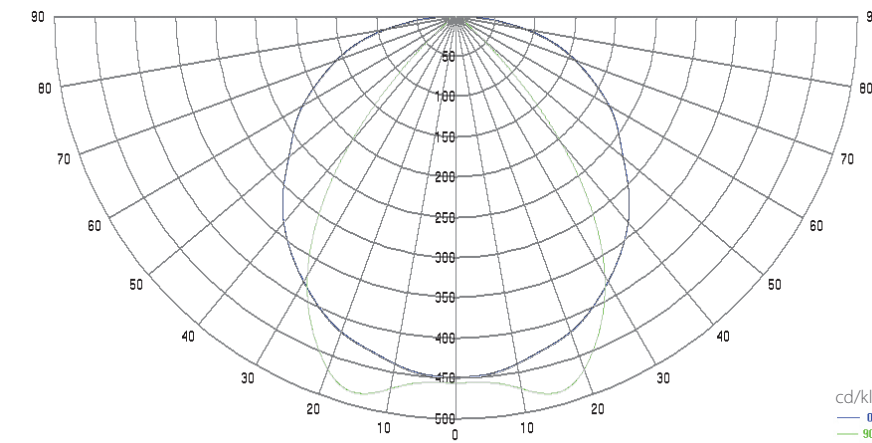
Cross section view of PL55FL  
with (2) positioning slots for reflectors

AL-PL55FL  
AL-REF32 (x2)  
30-DURIS  
AB-PL55/PRI55-M/K

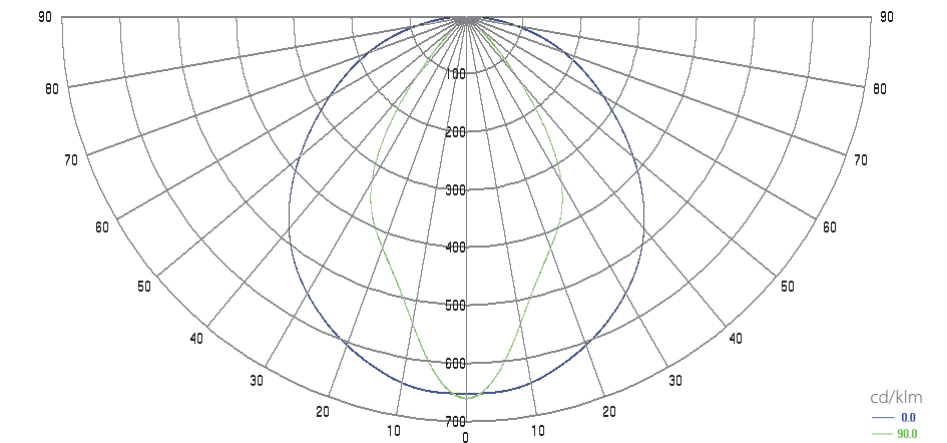


Polar Candela Distribution Plot  
Using Missed Rays

Light reflector in slot 1: light more uniform



Light reflector in slot 2: light more concentrated (60° degree)



AL-PL55FL  
AL-REF32 (x2)  
30-DURIS  
AB-PL55/PRI55-M/K  
MC-PL55  
EC-PL55FL