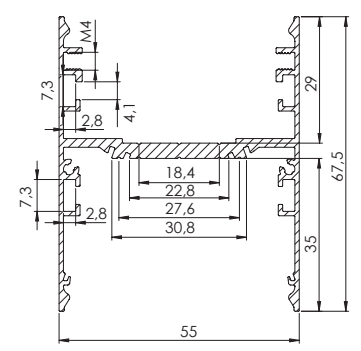


AL-DPL55FL  
AB-PL55/PRI55-M/K  
AL-REF32 (x2)  
30-DURIS

# DPL55FL LED PROFILE

DPL55FL; 55 x 67,5 mm

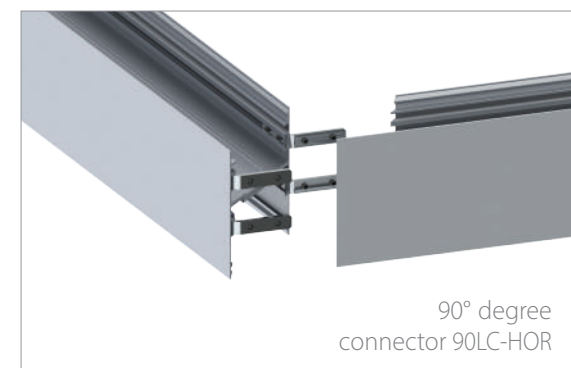
DPL55 FL is a new version of our double-sided LED profile- DPL55. This multi-functional LED profile can be both suspended as well as installed on a surface. Depending on your needs, it can be equipped with two light sources. The heat dissipation capacity of this luminaire is up to 72 W/m. The extrusion can also be equipped with reflectors made of highly polished aluminium with a high light reflectance (> 95%). In addition, the reflectors can be set in two positions to get a narrow or a wide light distribution depending on your needs. Thanks to the innovative mounting thread, the power supply does not adhere to the LED shelf and does not overheat. The profile has been designed so that there are no visible light points. DPL55 FL is available with matt and two prismatic diffusers: transparent and opal. Thanks to the available accessories, such as linear and 90 degree angle connectors, multifunctional mounting brackets and safety cable, it can be easily and securely mounted with a single click.



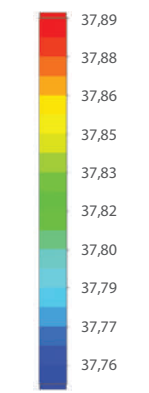
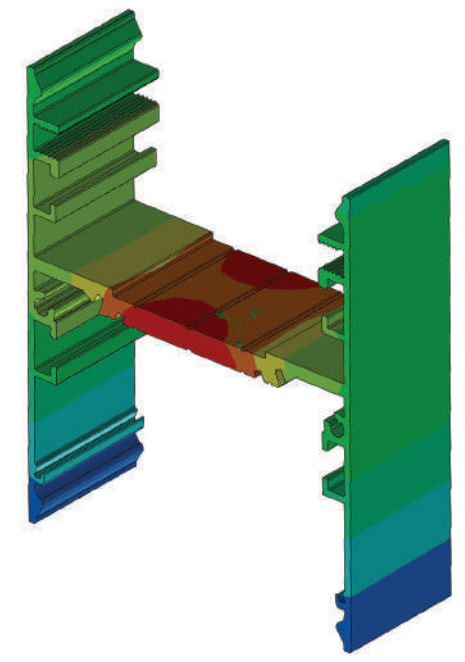
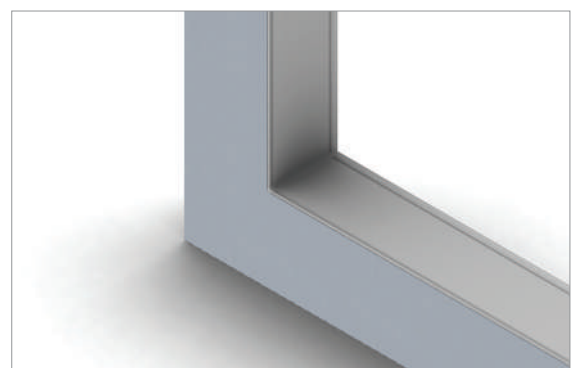
Mounting Brackets  
MC-DPL55FL



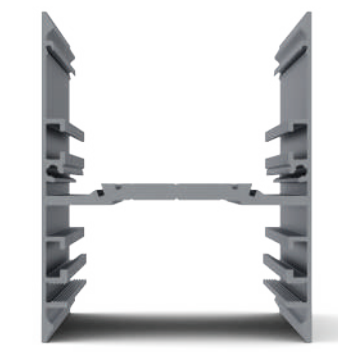
Aluminum end caps  
EC-DPL55FL



90° degree  
connector 90LC-HOR



Temperature (Solid) [°C] (direct light)  
Temperature ambient: 25°C



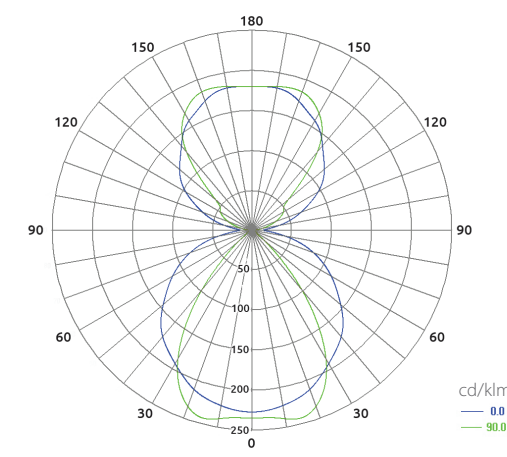
Cross section view of DPL55FL



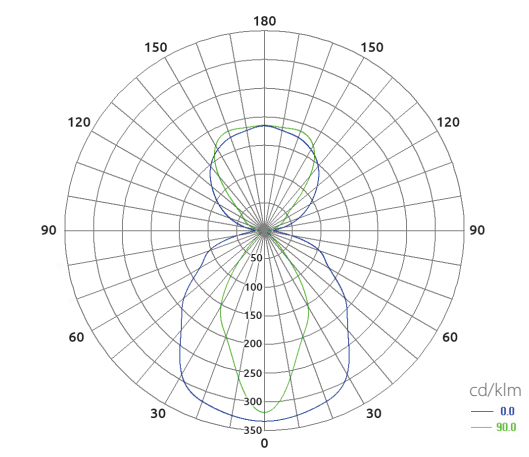
AL-DPL55FL  
AL-REF32 (x2)  
30-DURIS  
AB-PL55/PRI55-M/K

Polar Candela Distribution Plot  
Using Missed Rays

Light reflector in slot 1: light more uniform



Light reflector in slot 2: light more concentrated (60° degree)



AL-DPL55FL  
MC-DPL55FL  
EC-DPL55FL

