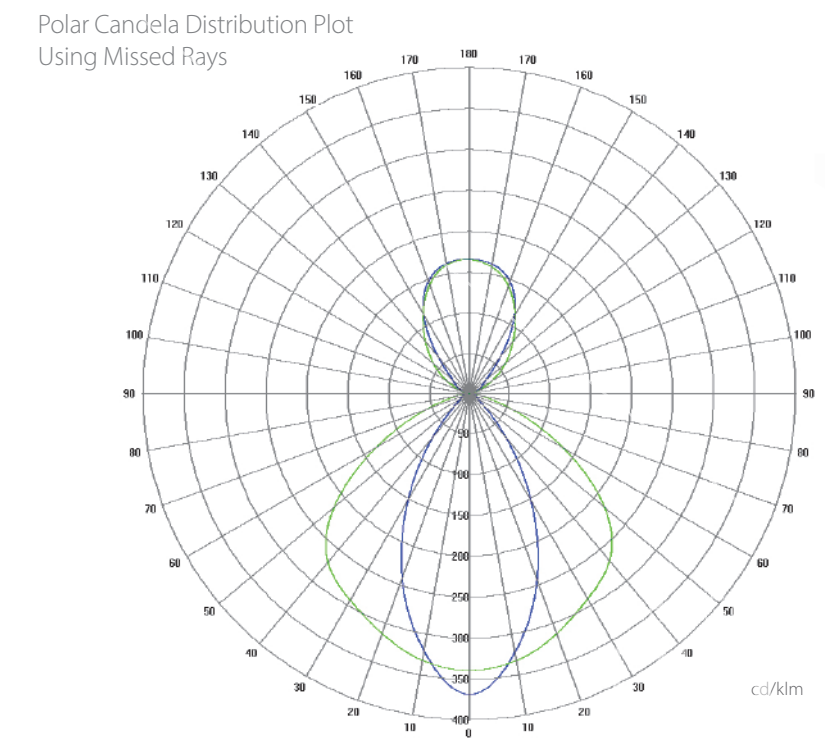
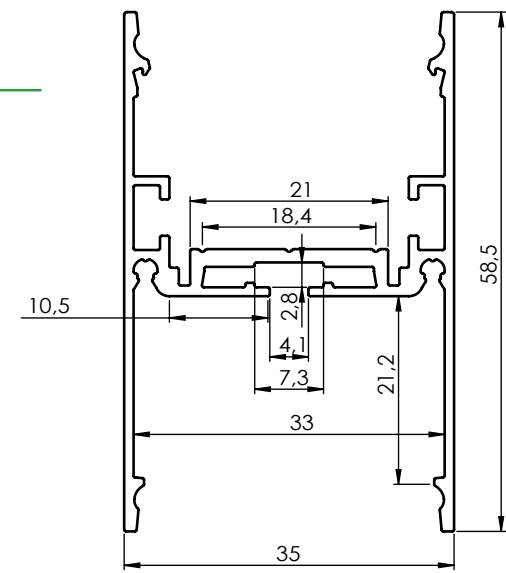




DPL35

DPL35; 35 x 58.5 mm

The New Duo Powerline 35 Profile with reflectors is ideally suited to surface mount and suspended Linear LED applications both internally and externally. The second chamber can be used as an uplight or as a place for our range of drivers or for concealing cable runs. Frosted, clear and prismatic diffusers can be supplied. Suspension kits, linear connectors for long runs and right angle connectors make this profile versatile and easy to install.



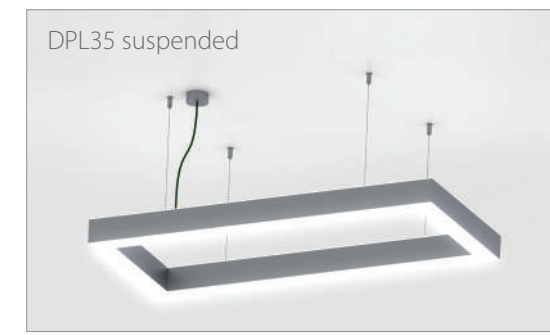
DPL35 from the ceiling

A BRIGHTER FUTURE
UK LED lighting

AL-DPL35
AB-PL35



End Caps EC-DPL35



DPL35 suspended



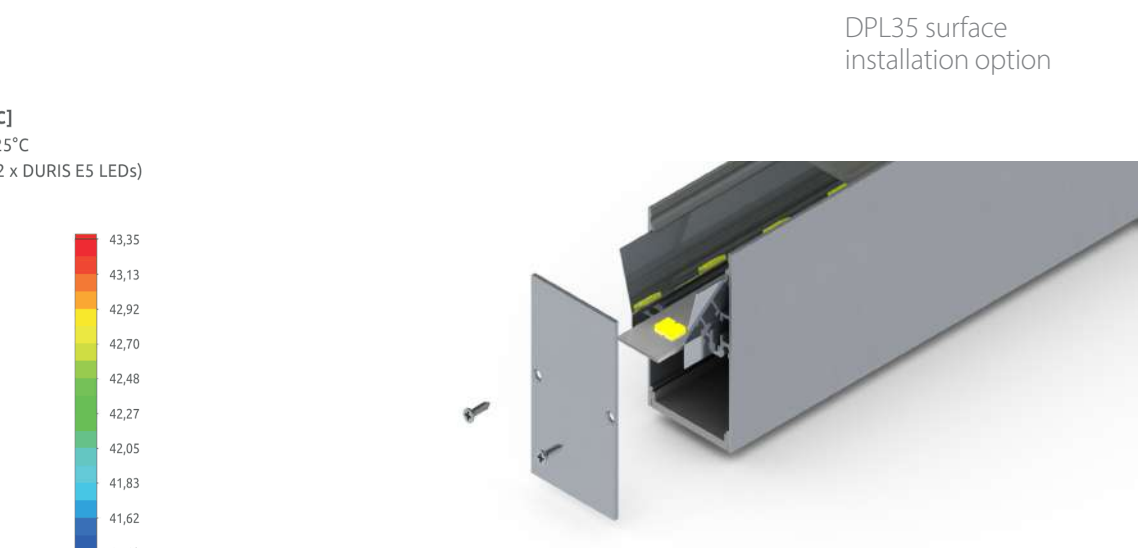
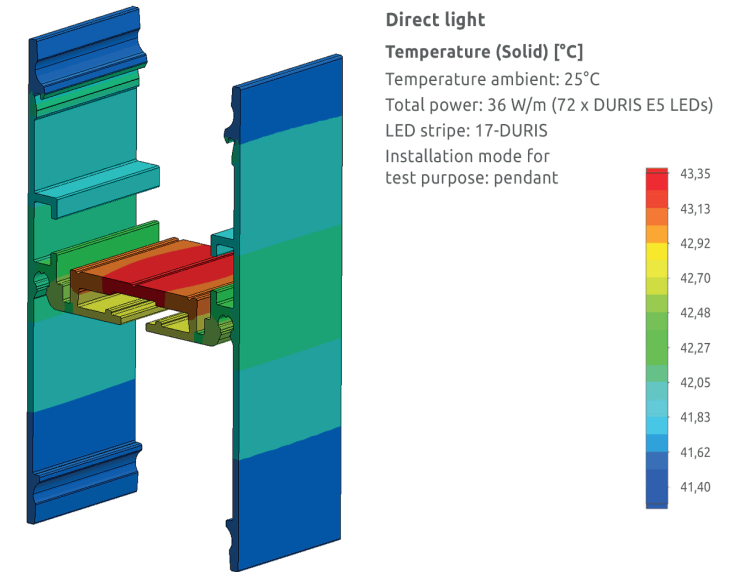
DPL35 suspended



Linear connectors for DPL35, LC-LIN



90° degree connectors for DPL35, vertical and horizontal



DPL35 surface installation option