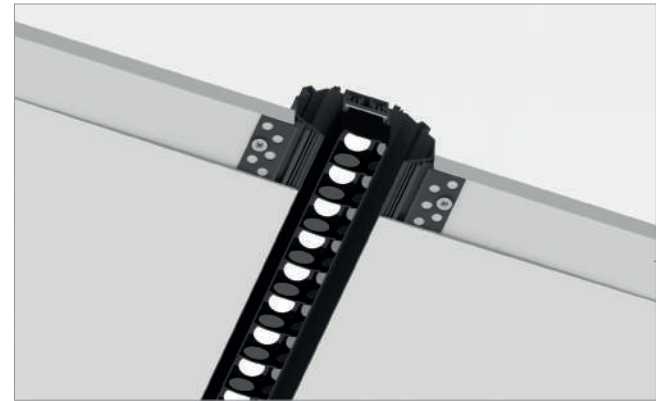
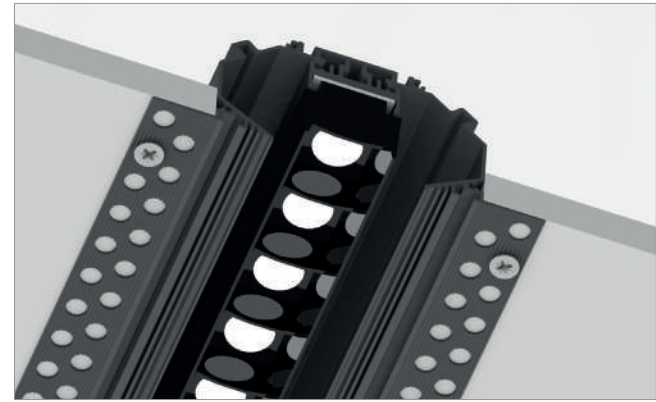
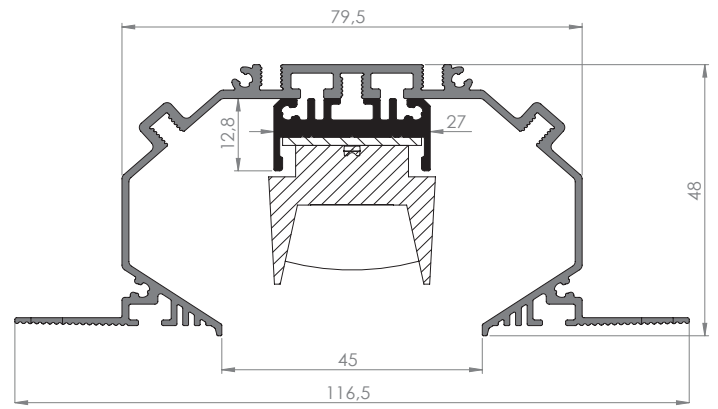


# RPL45 Florentina

RPL45 US; 48 x 116,5 mm

We proudly present our newest and most innovative product from Plaster Board Line – RPL45 US. This solution includes a base which can be used with a suitable profile of your choice, giving you the variety of options and freedom of design. Chasing the market's needs, the anodized black base finish creates depth allowing your elegant line of light to shine. Our recommendation for this solution would be FLORENTINA 12x1 (UGR < 16) optical lens produced by LEDiL. FLORENTINA is a hybrid design of a black reflector and a lens for high visual comfort in various shapes. The profile comes with high-quality anodized black end caps and AL-INS-FLO base for FLORENTINA lens. Installation process is as easy as for other Plaster Board profiles thanks to perforated sides of the extrusion. All above features provide you complex solution that can be modified (attached profile) up to your needs, whenever required.



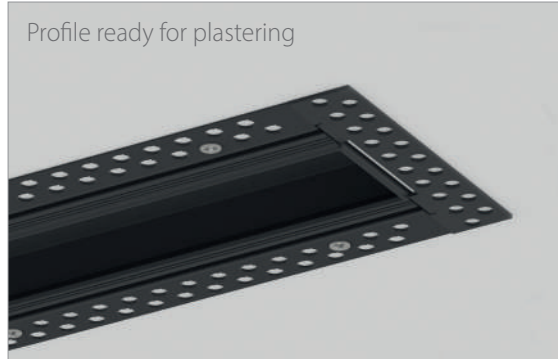
AL-RPL45 US  
AL-INS-FLO  
FLORENTINA-12x1



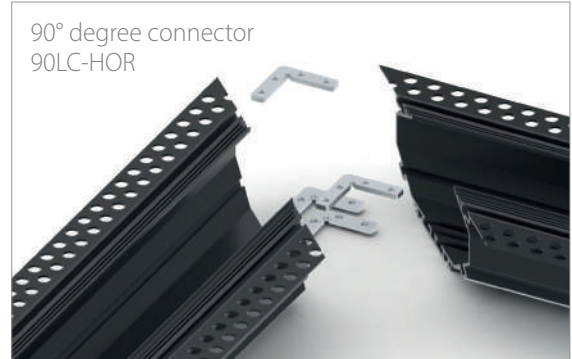
Aluminum end caps  
EC-RPL45 US-H3



Aluminum end caps  
EC-INS-FLO-H3

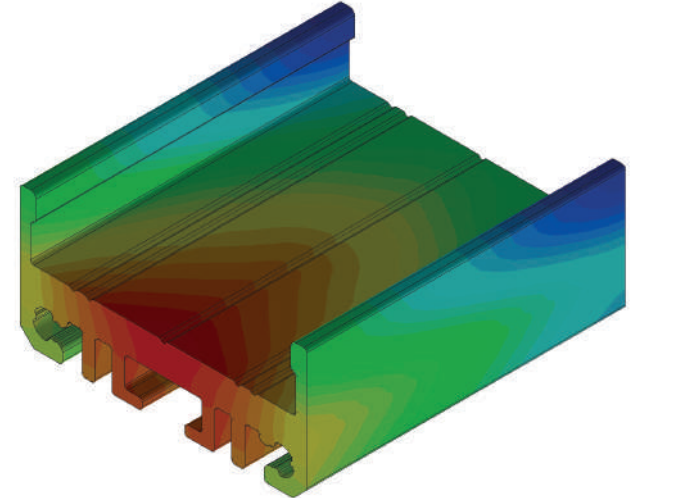
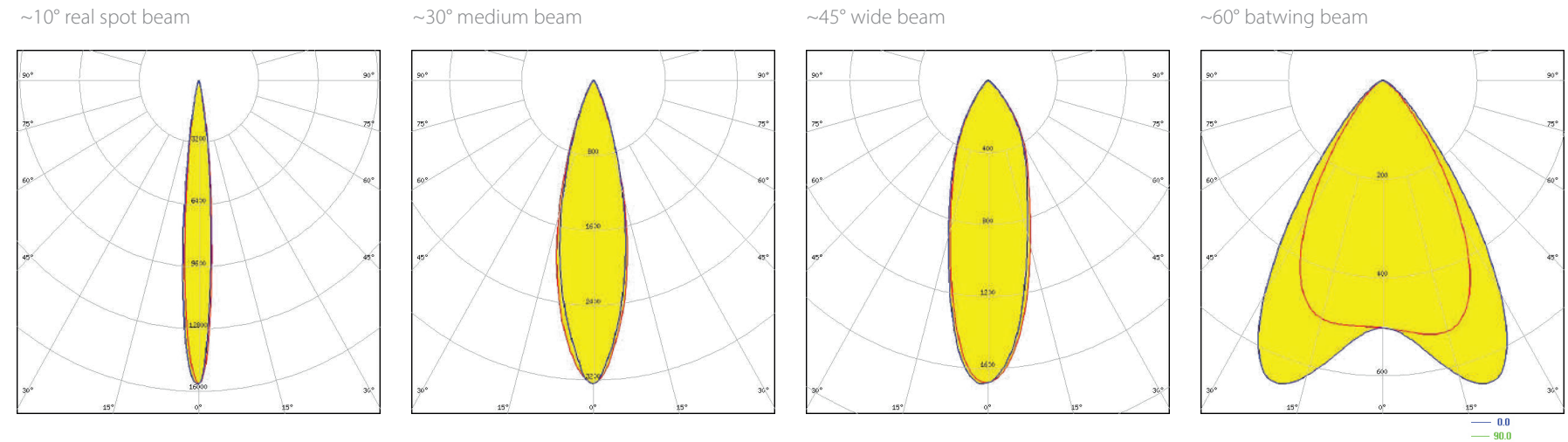


Profile ready for plastering



90° degree connector  
90LC-HOR

## Polar Candela Distribution Plot Using Missed Rays



55,90  
55,85  
55,80  
55,71  
55,66  
55,61  
55,57  
55,47  
55,42  
55,37

### Temperature (Solid) [°C]

Temperature ambient: 25°C  
Total power: 12W / 1 module 285mm (350mA CC)  
LED stripe: 12 CREE

AL-RPL45 US  
AL-INS-FLO  
FLORENTINA-12x1

cd/klm  
0.0  
90.0