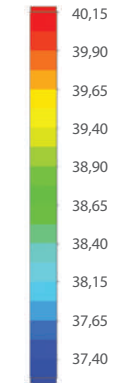
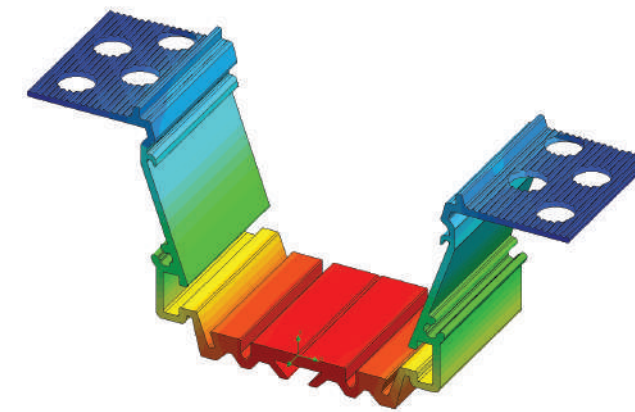
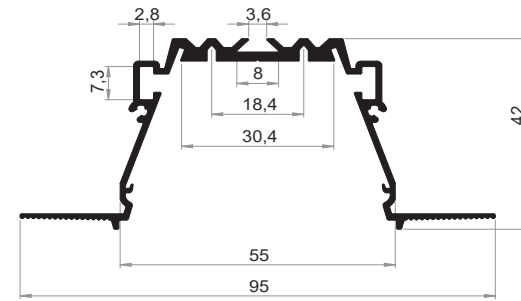


AL-RPL55 US
AL-REF32
AB-PL55-M/K
30-DURIS

RPL55 LED PROFILE

RPL55 US; 42 x 95 mm

The second solution from our new Plaster Board Line. Made of high-quality raw aluminum with diffuser span of 55mm, gives you opportunity to create functional and modern LED lamp for professional use. Innovative design provides unique features such as: Premade angle modules, mounting rail for the junction box and dedicated openings for the ease of installation. The profile was designed for our double rigid 30-Duris LED strips. The shape and weight of the profile is optimized to absorb heat from LEDs up to 45W / m and maintain stability. The profile is also equipped with reflectors made of highly polished aluminum designed for better light distribution (improvement of luminaire efficiency; 18 – 20%). The customer has a choice of an opal or a clear diffuser.



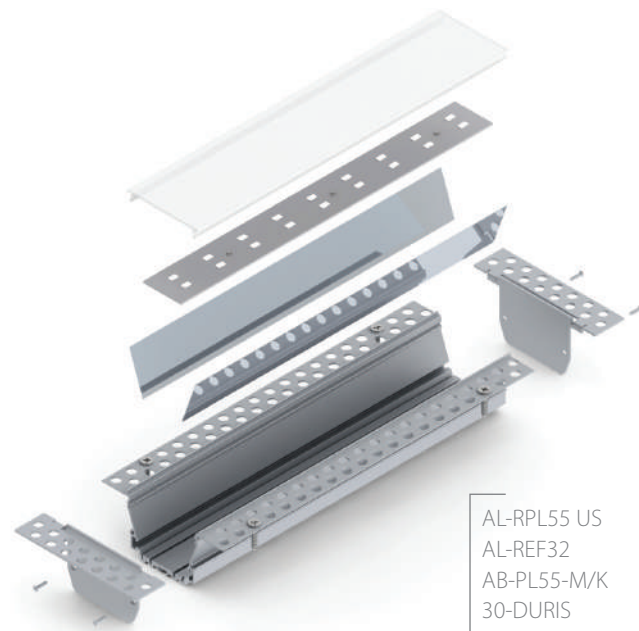
Temperature (Solid) [°C]
Ambient temperature : 25° C
Total power: 36 W/m (



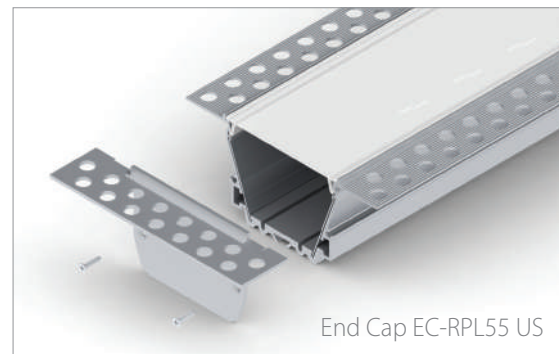
RPL55 US horizontal connection using 90LC-HOR



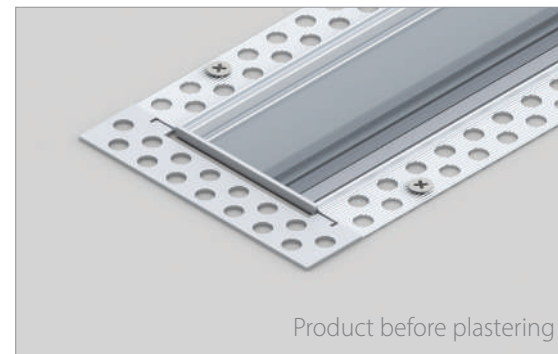
RPL55 US vertical connection using 90LC-VER



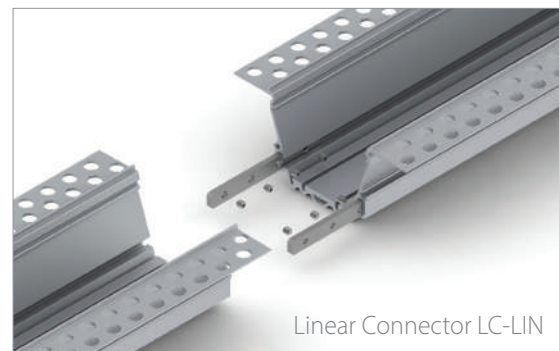
AL-RPL55 US
AL-REF32
AB-PL55-M/K
30-DURIS
EC-RPL55 US



End Cap EC-RPL55 US



Product before plastering

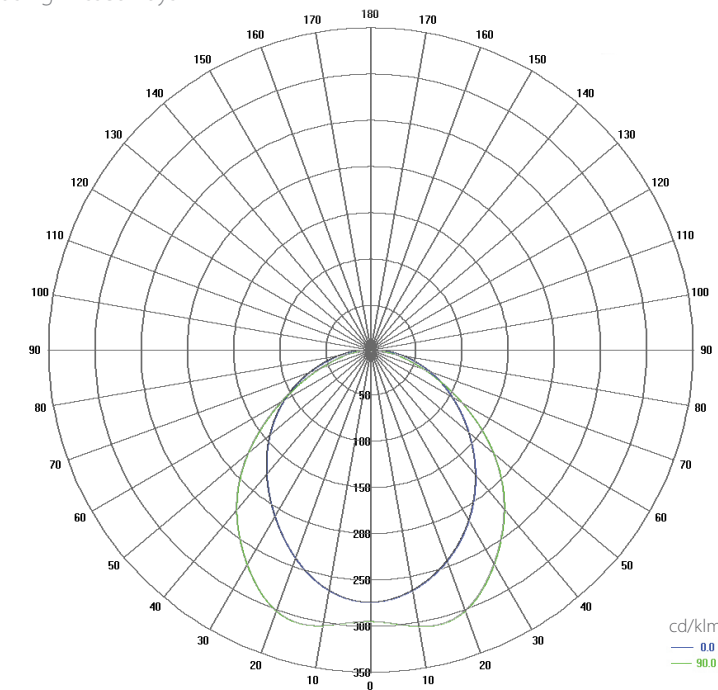


Linear Connector LC-LIN



RPL55 US with junction box

Polar Candela Distribution Plot
Using Missed Rays



Cross section view of RPL55 US



Aluminum end caps EC-RPL55 US

AL-RPL55 US
AL-REF32
AB-PL55-M/K
30-DURIS

