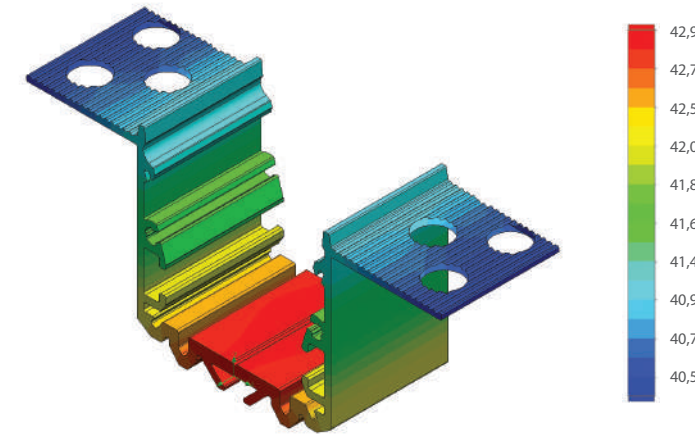
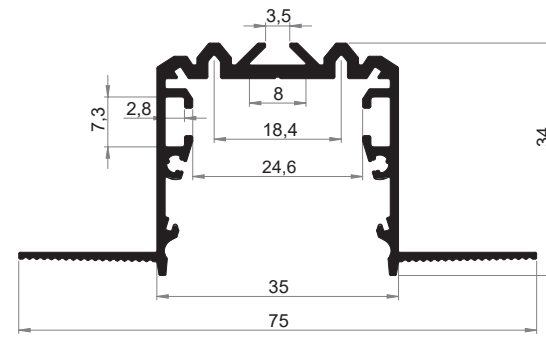


AL-RPL35 US
AL-REF25-B50
AB-PL-M/K
17-DURIS

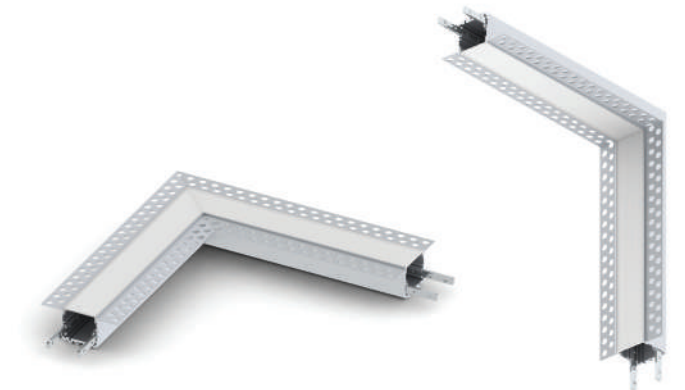
RPL35 LED PROFILE

RPL35 US; 75 x 34 mm

Narrow, high-quality raw aluminum profile for plasterboard ceilings and walls. Innovative design provides unique features such as: Premade angle modules, mounting rail for the junction box and dedicated openings for the ease of installation. The profile is also equipped with reflectors made of highly polished aluminum designed for better light distribution (improvement of luminaire efficiency; 18 – 20%). RPL35 US allows you to easily attach a 20mm wide PCB in the Zhaga standard and is designed to distribute the heat efficiently all the way up to 40W/m. The RPL35 US profile is available with UV and impact resistant, snap-in diffusers: transparent, matt, prismatic transparent and prismatic matt.

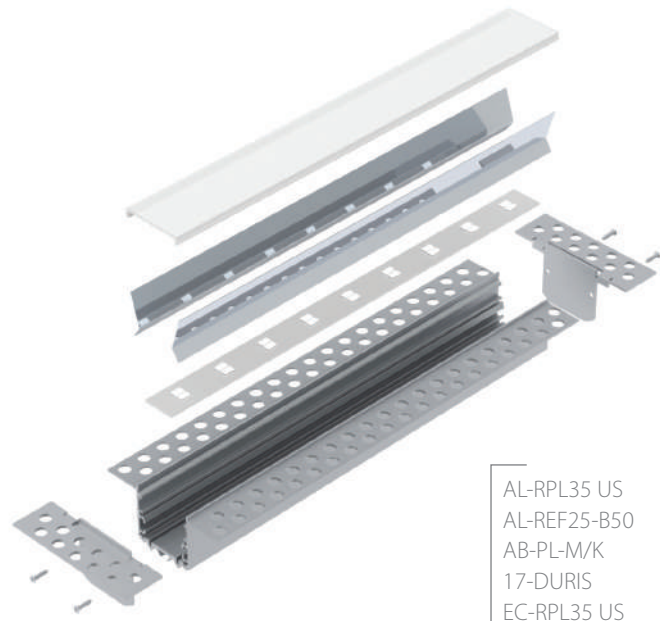


Temperature (Solid) [°C]
Ambient temperature : 25° C
Total power : 36 W/m

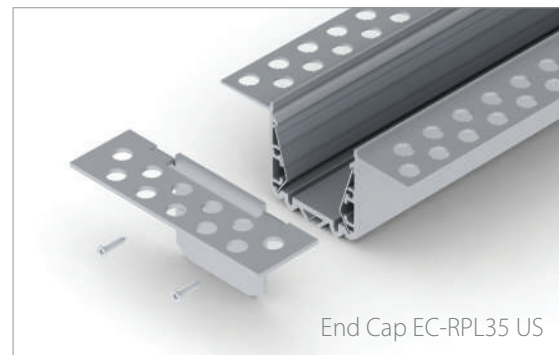


RPL35 US horizontal connection using 90LC-HOR

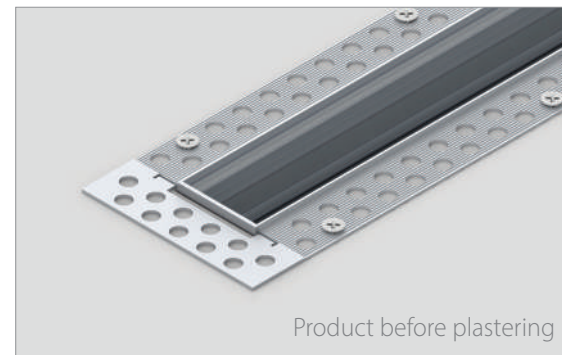
RPL35 US vertical connection using 90LC-VER



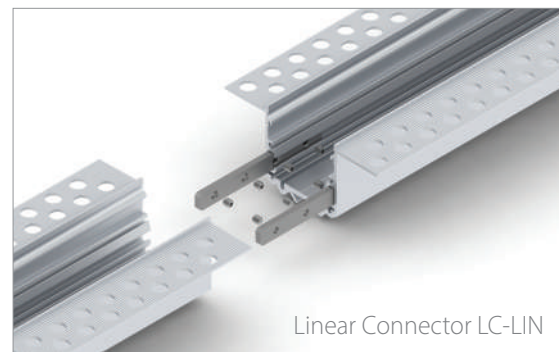
AL-RPL35 US
AL-REF25-B50
AB-PL-M/K
17-DURIS
EC-RPL35 US



End Cap EC-RPL35 US



Product before plastering

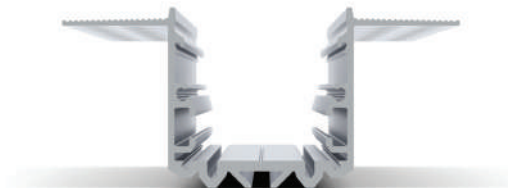
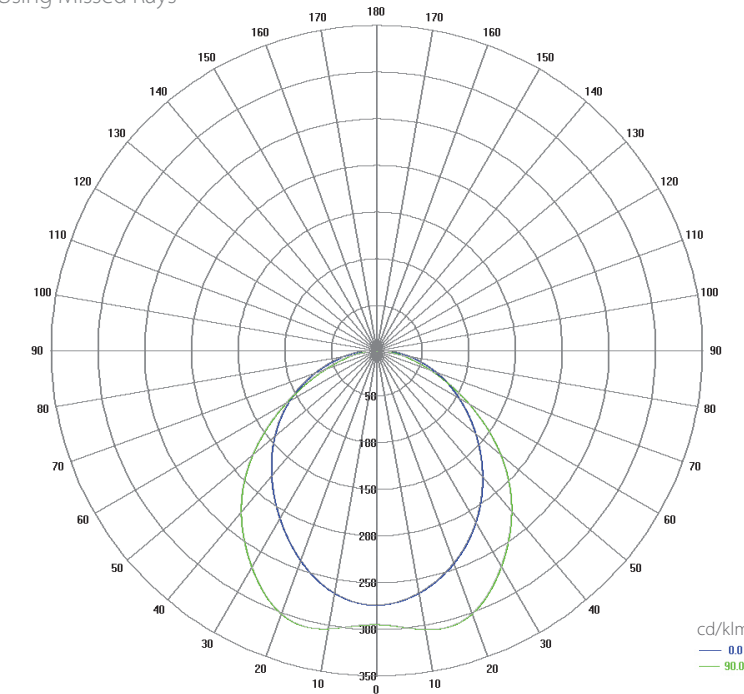


Linear Connector LC-LIN

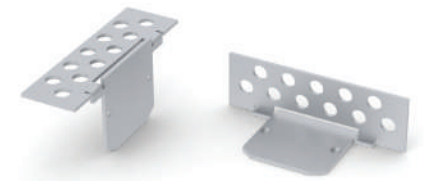


RPL35 US with junction box

Polar Candela Distribution Plot
Using Missed Rays



Cross section view of RPL35 US



Aluminum end caps EC-RPL35 US

AL-RPL35 US
AL-REF25-B50
AB-PL-M/K
17-DURIS

