



AL-RO38
AB-SLW



AL-RO38
AB-SLW
LC-LIN



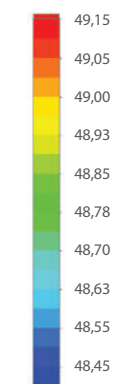
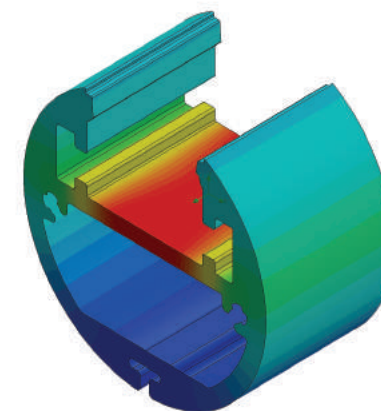
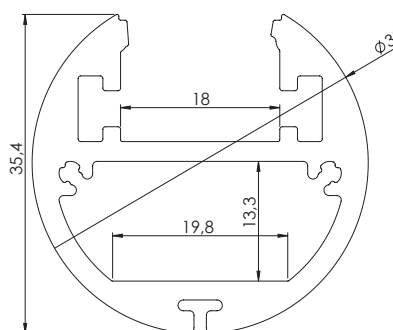
Aluminum end caps
EC-RO38

ALU ROUND 38 LED PROFILE

AL-RO38; ø38 mm

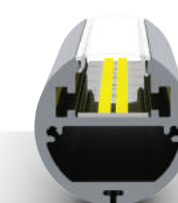
This new high quality round profile made of anodized aluminium is designed to be used with LED light sources. Thanks to a suitably designed shape, the profile can be safely used for high power LED PCB (36W/m). The shape guarantees strength as does the weight (1.1 kg/m) ensuring perfect heat dissipation & cooling. Additionally this can be used for construction purposes (illuminated frames, hangers in

Depending on the place of application, we offer our clients three types of UV-resistant and damage to the lenses: matte, transparent and 50% matte.



Temperature (Solid) [°C]

Temperature ambient: 25°C
Total power: 36,2W/m (72 LEDs)
LED stripe: 17-DURIS
Installation mode for test purpose: pendant



Cross section view
AL-RO38



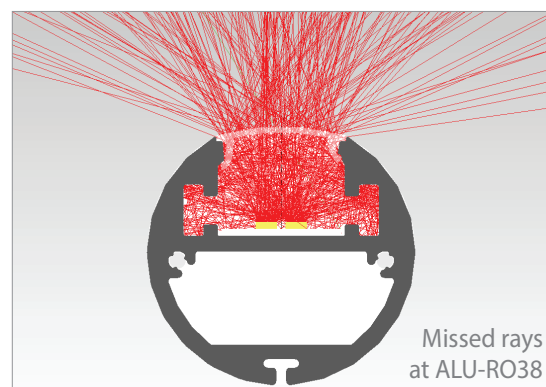
AL-RO38
AB-SLW
EC-RO38



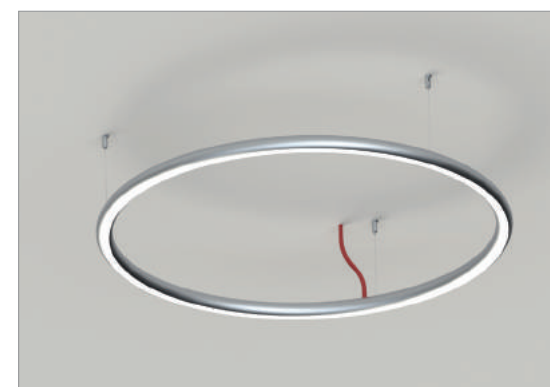
Linearconnector LC-LIN



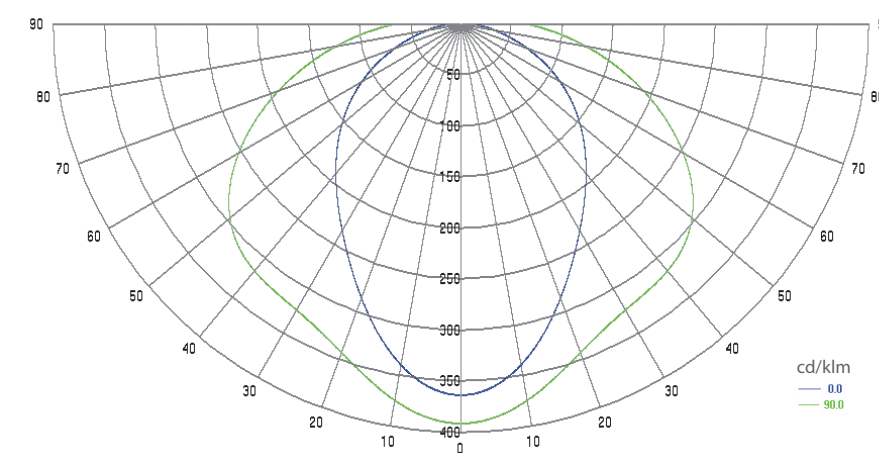
90° degree connector
90LC-HOR



Missed rays
at ALU-RO38



Polar Candela Distribution Plot
Using Missed Rays



Installation of the Alu Round 38 profile in the Wardrobe

