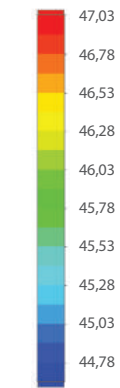
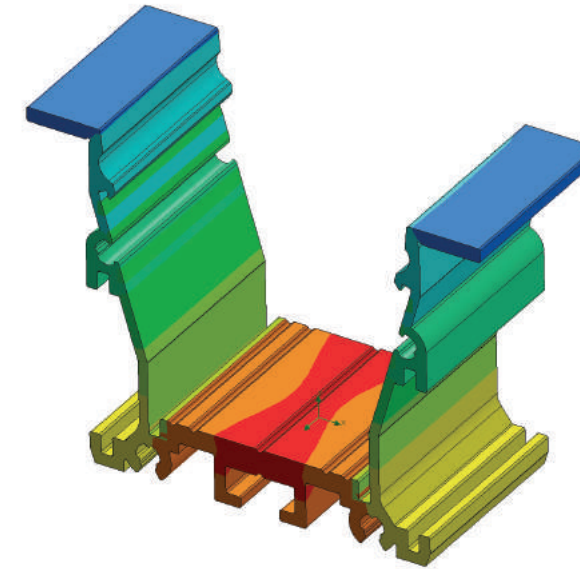
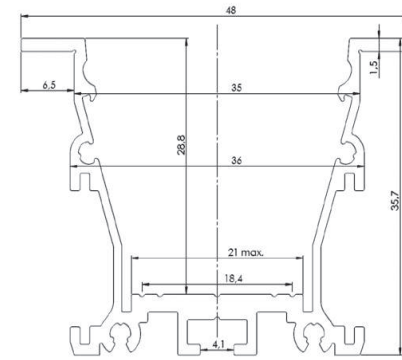


RPL35FL LED PROFILE

RPL35FL; 48 x 35,7 mm

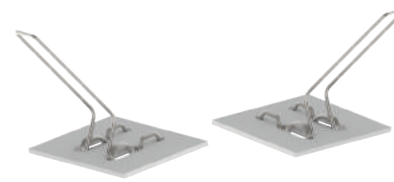
It is a narrow, high-quality aluminum anodised profile for plasterboard ceilings. The profile is equipped in reflectors made out of high-polished aluminum for a better light distribution. This improves the luminaire efficiency by 10-18% (depending on the LEDs type). The profile allows you to easily attach a 20mm wide PCB in the Zhaga standard. The profile is designed to distribute the heat efficiently all the way up to 36W/m without going over 50 degree Celsius. (ambient temperature 25 degrees C). Profile is mounted in the ceiling using springs without any additional tools. The profile is designed for ceilings up to 18mm thickness. Channels at the top of the profile allows the installation of the power supply and security cables. The RPL35 FL profile is available with UV and impact resistant, snap-in diffusers: transparent, matt, prismatic, transparent and prismatic matt.



Temperature (Solid) [°C]
 Temperature ambient: 25°C
 Total power: 36W/m
 LED stripe: 17-DURIS

AL-RPL35FL
 AL-REF-RPL35FL
 AB-PL-K/M or AB-PL-PRI

AL-RPL35FL
 AL-REF-RPL35FL
 AB-PL-K/M or AB-PL-PRI
 EC-RPL35FL



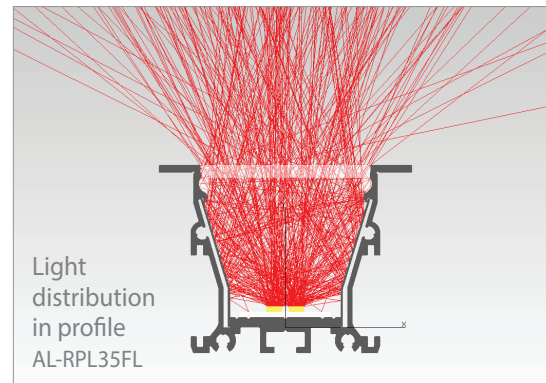
MC-SPR-A



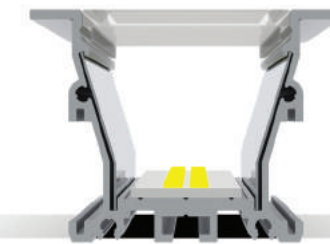
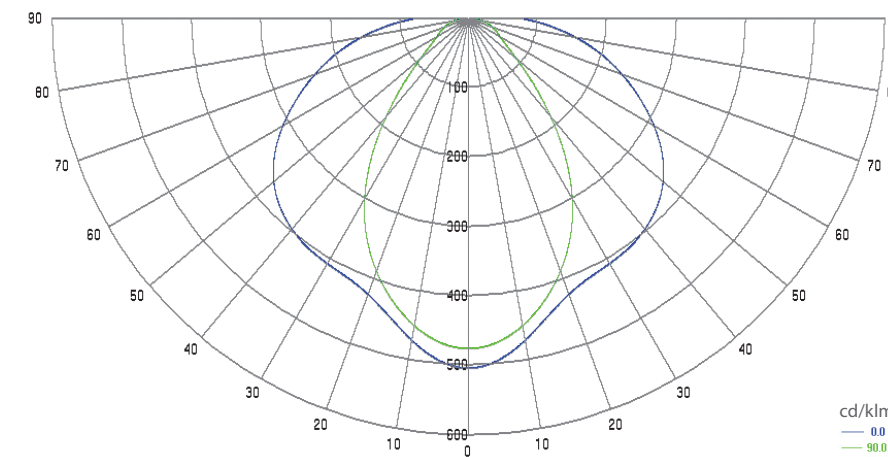
Aluminum end caps EC-RPL35FL



RPL35FL ceiling installation



Polar Candela Distribution Plot
 Using Missed Rays



Cross section view
 AL-RPL35FL

AL-RPL35FL
 AL-REF-RPL35FL
 AB-PL-K/M or AB-PL-PRI
 MC-SPR-A
 LC-LIN
 MC-LOCK2

AL-RPL35FL
 AL-REF-RPL35FL
 AB-PL-K/M or AB-PL-PRI
 MC-LOCK2

