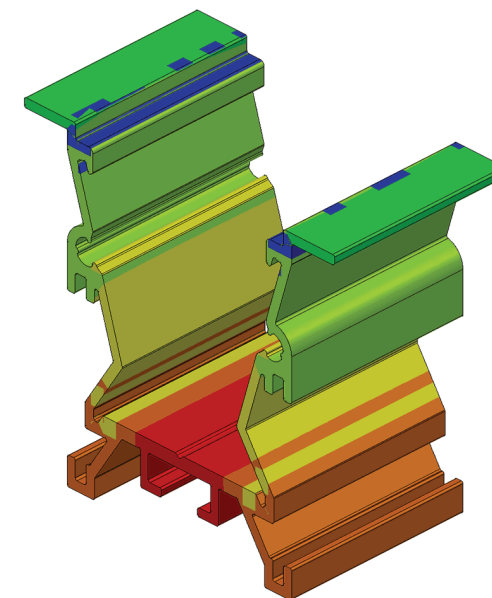
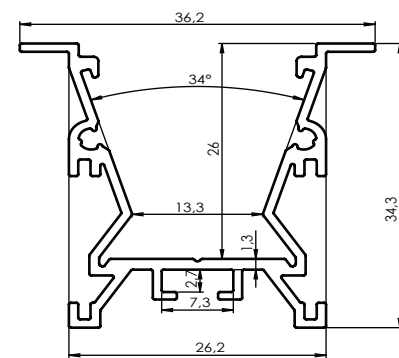




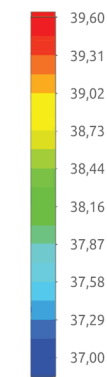
# RPL20FL LED PROFILE

RPL20FL; 36.2x 34.3 mm

It is a narrow, high-quality aluminum anodised profile for plasterboard ceilings. The profile is equipped in reflectors made out of high-polished aluminum for a better light distribution. This improves the luminaire efficiency by 10-18% (depending on the LEDs type). The profile allows you to easily attach a 10mm wide PCB in the Zhaga standard. The profile is designed to distribute the heat efficiently all the way up to 21W/m without going over 50 degree Celsius. (ambient temperature 25 degrees C). Profile is mounted in the ceiling using springs without any additional tools. The profile is designed for ceilings up to 18mm thickness. Channels at the top of the profile allows the installation of the power supply and security cables. The RPL20 FL profile is available with UV and impact resistant, snap-in diffusers: transparent, matt, prismatic, transparent and prismatic matt.

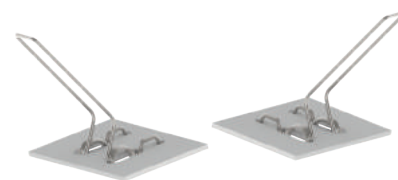


**Temperature (Solid) [°C]**  
 Temperature ambient: 25°C  
 Total power: 21,6W/m (90 LEDs)  
 LED stripe: 10-5060  
 Installation mode  
 for test purpose: recessed



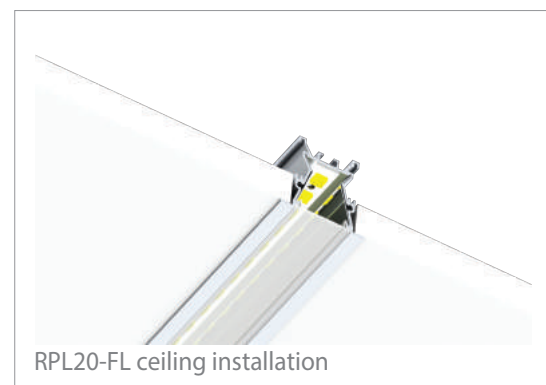
AL-RPL20FL  
 AL-REF-RPL20FL  
 AB-PL-K/M or AB-PL-PRI  
 MC-LOCK2

AL-REF-RPL20FL

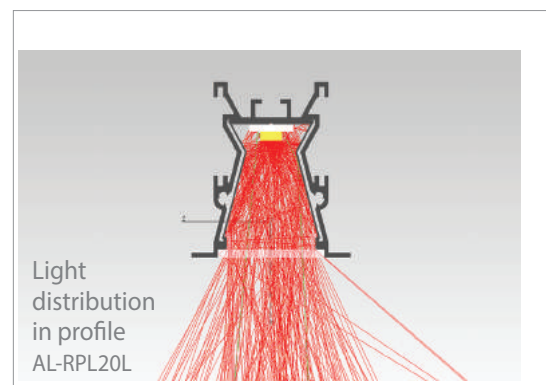


MC-SPR-A

Aluminum end caps EC-RPL20FL



RPL20-FL ceiling installation



Light distribution in profile AL-RPL20L

Polar Candela Distribution Plot Using Missed Rays

