



A BRIGHTER FUTURE

UK **LED** *lighting*

QZR Nerus Max RGBW 32mm pitch

4 in 1 LED

LDT /IES files

IP66

50,000 hours

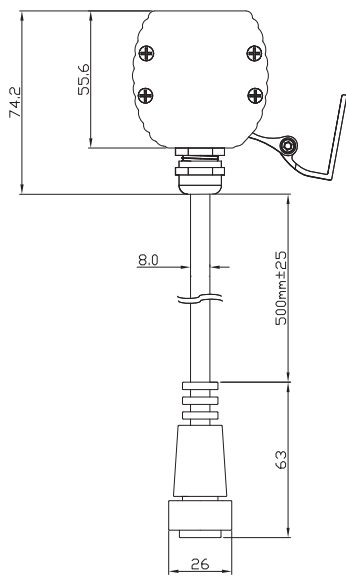
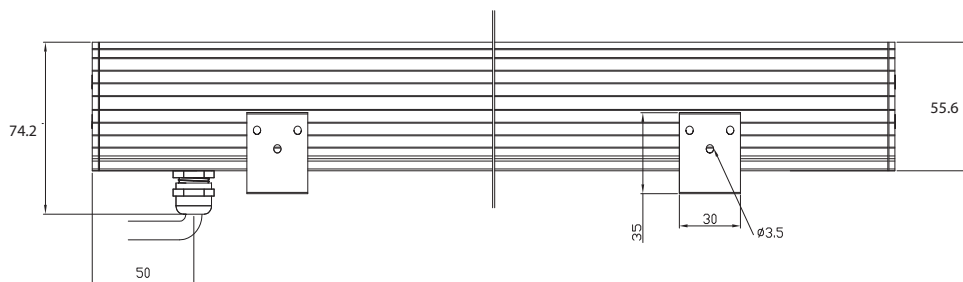
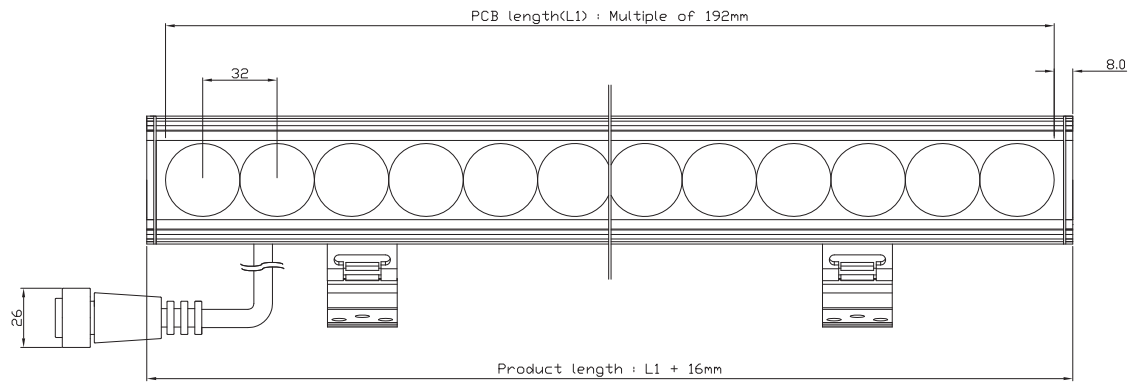
Dimmable

CE

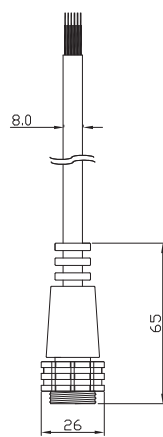
Part No.	E-RGBW4HC3-24-192-5-QNM345C4
LED Pitch	32mm
Colour CCT	Red - 625nm / Green - 525nm / Blue - 460nm
Lumen	2600
White CCT	6500K / 4000K / 3000K
Lumen	1375 / 1125 / 1000
Beam Angle Optics Available	20° / 34°
Power Consumption (per metre)	100 Watts
Volt/DC	24
Chip Used	CREE XML Color
PCB Length (mm)	192
End cap combined length (mm)	16
Maximum serial connection (mm)	4600
Accessories	Louves, Micro Mesh Louvres, Light Guide Cowl
Tc point °C	65



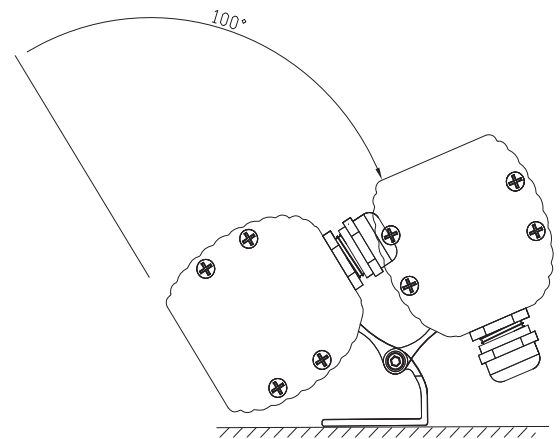
Dimensions



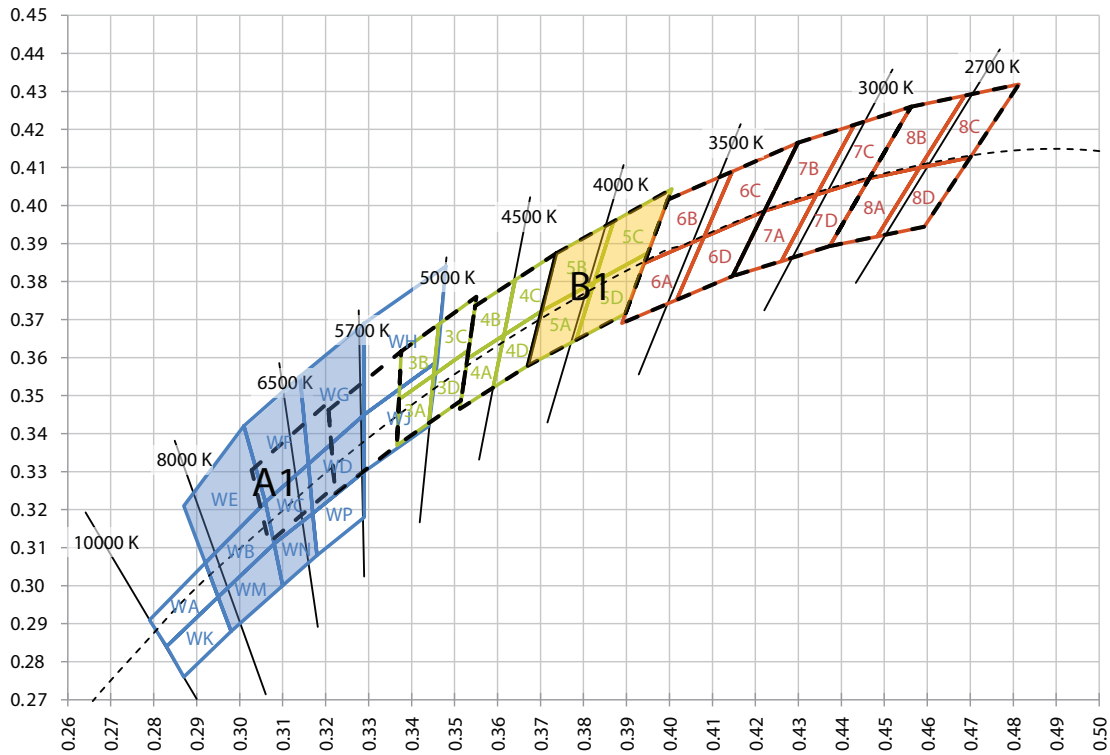
DMG CONNECTOR



DFG CONNECTOR



Binning chart CREE XML Color



Part numbering key

E-RGBW4HC3-24-192-5-QN34SC4

