



A BRIGHTER FUTURE

UK **LED** *lighting*

SZR Nerus 30mm Pitch Optic

High CRI option

LDT /IES files

IP40

50,000 hours life

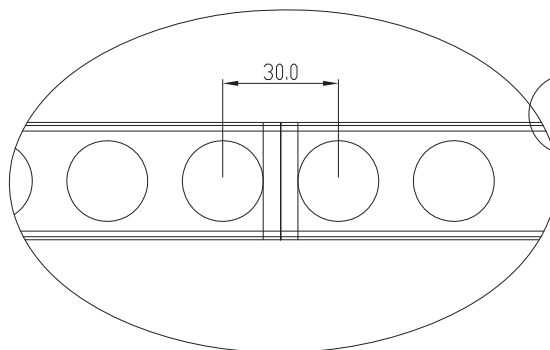
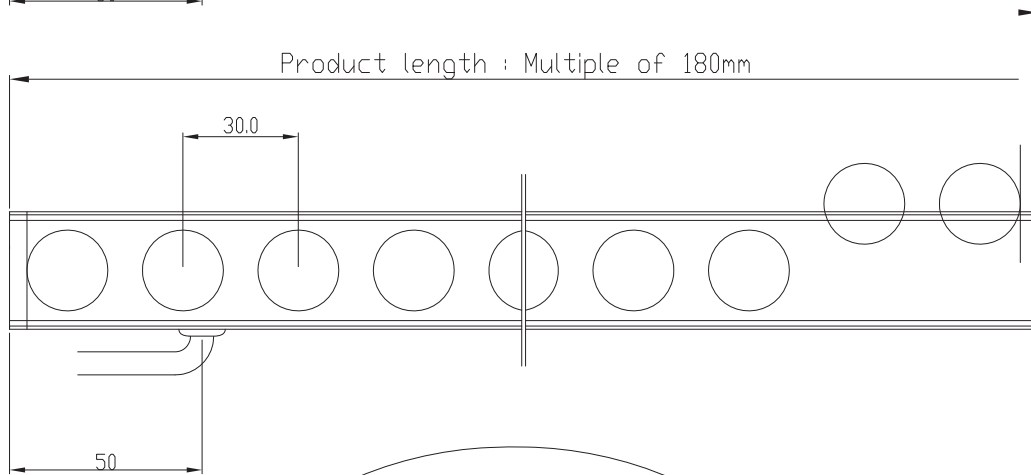
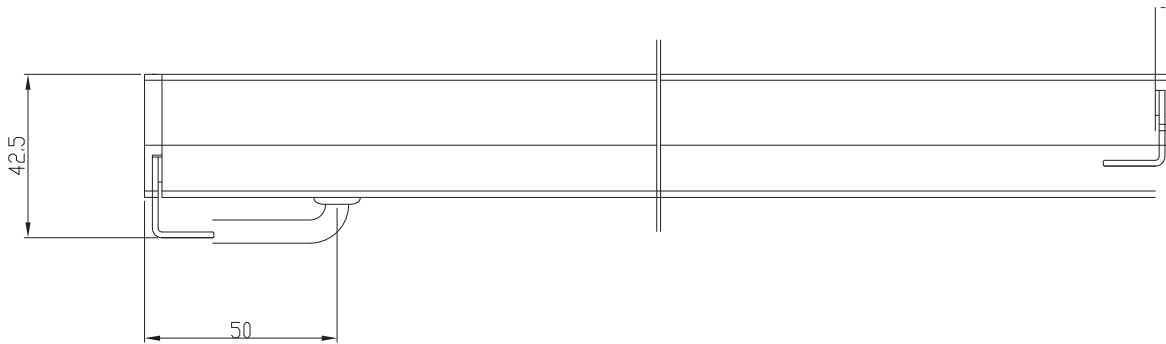
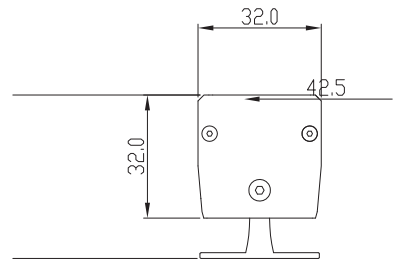
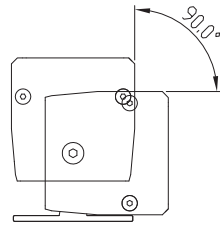
Dimmable



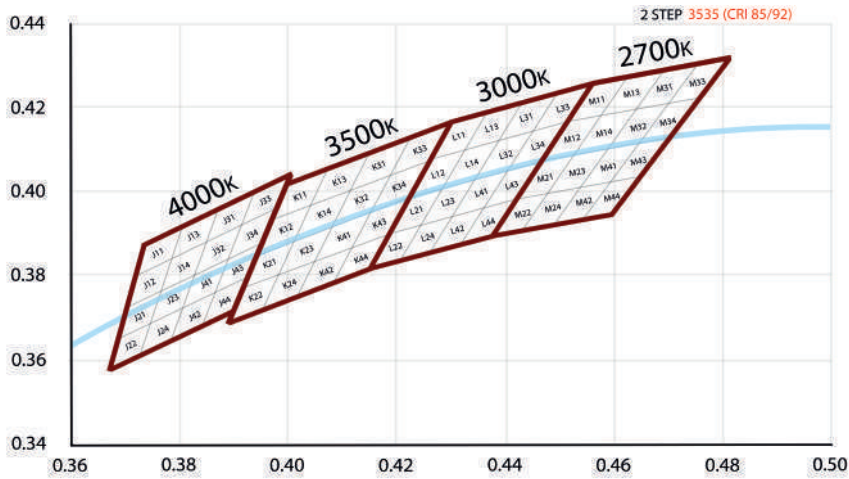
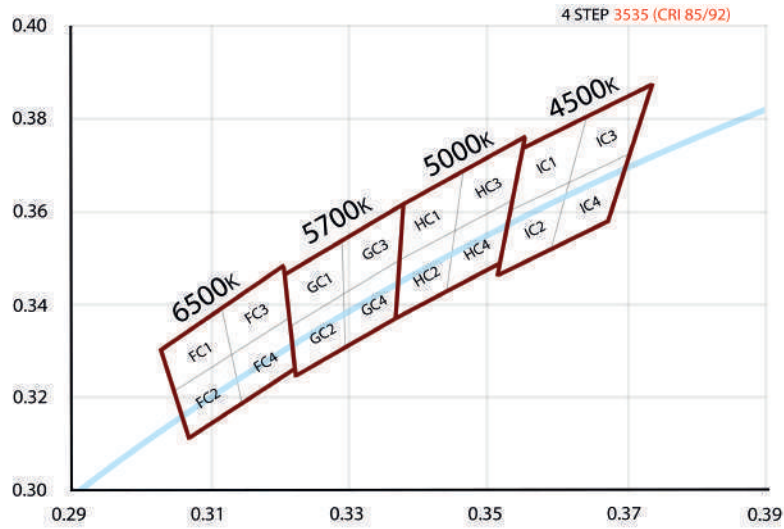
Part No.	E-30-1HC3-24-180-5-SN55SC2
LED Pitch	30mm
Colour CCT CRI 85	2200K / 2500k / 2700k / 3000k / 4000k / 5700k
Lumen	2348 / 2688 / 3486 / 3780 / 4118 / 4452
Beam Angle Optics Available	12° / 22° / 30° / 55°
Asymmetrical Optical Options	10° x 60°
Power Consumption (per metre)	40 Watts
Volt/DC (constant voltage)	24
Chip Used	LG / Samsung / Cree
PCB Length (mm)	180 / 90 half board
End cap combined length (mm)	13
Maximum serial connection (mm)	4000
Tc point °C	60



Dimensions



Binning 2 Step - 4 Step MacAdam Ellipse



Part numbering key

