



A BRIGHTER FUTURE

UK **LED** *lighting*

QZR Nerus 40mm Pitch Optic

LDT /IES files

IP20-65

50,000 hours life

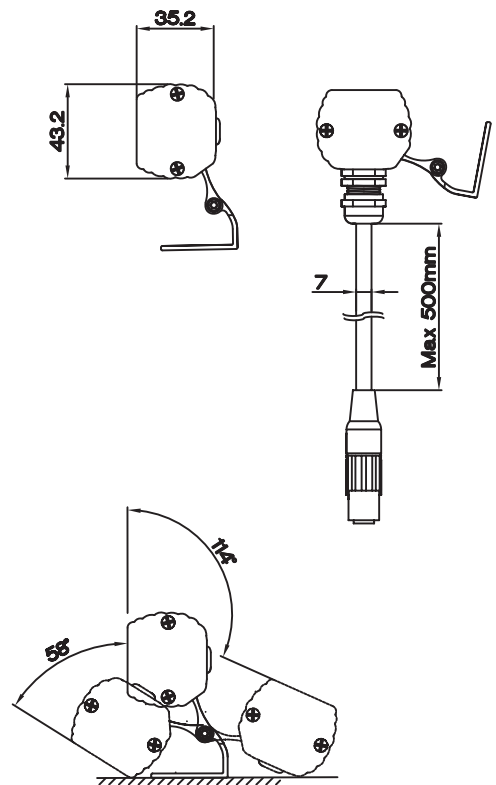
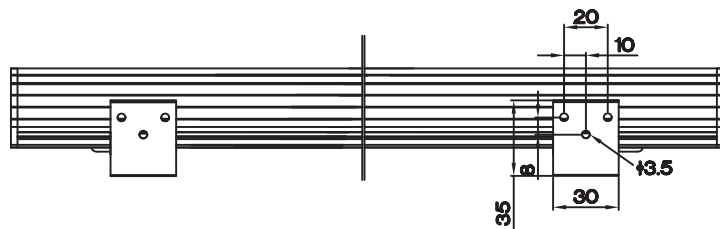
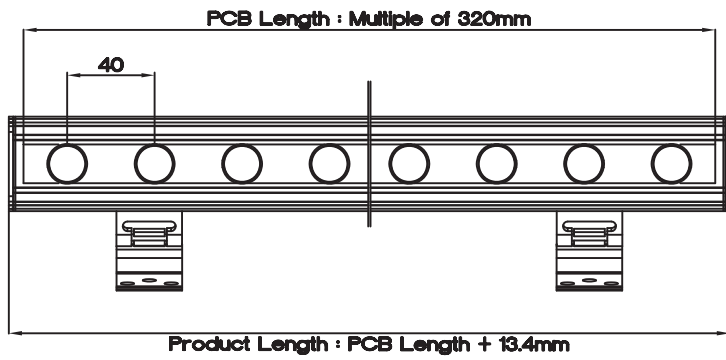
Djimmable

CE

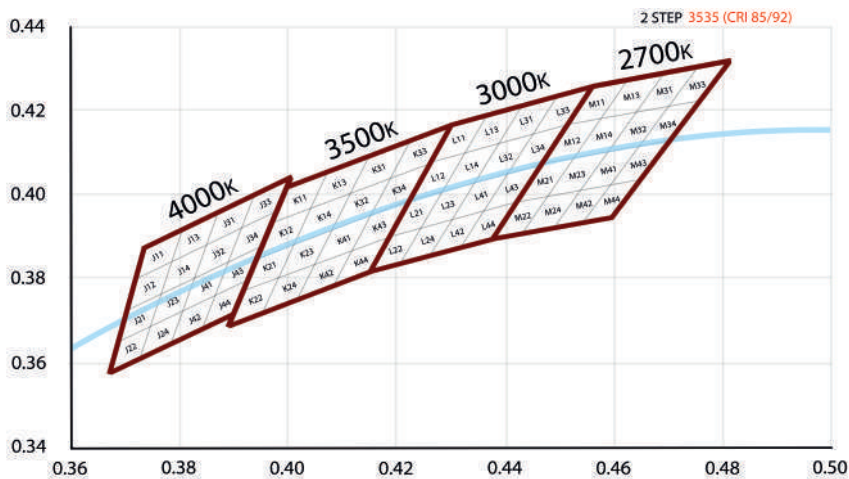
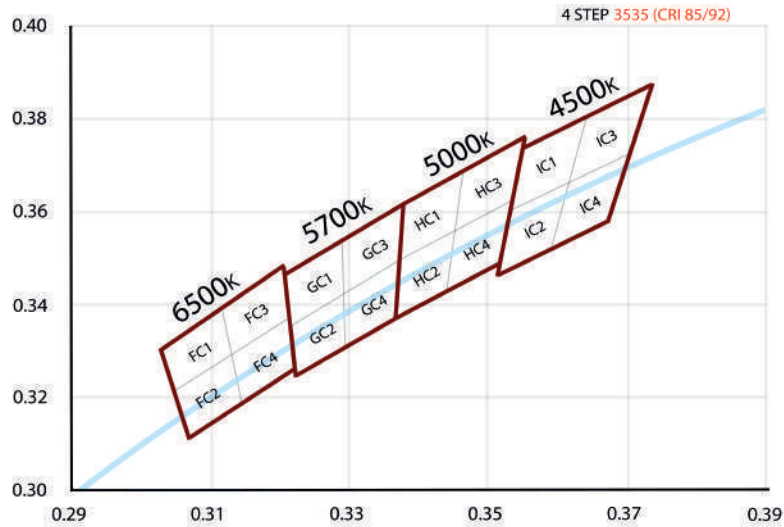
Part No.	E-30-1HC4-24-320D-3-QN30SC3
LED Pitch	40mm
Colour CCT	2700k / 3000k / 4000k / 5700k
Lumen	2438 / 2656 / 2813 / 3125
Beam Angle Optics Available	12° / 22° / 30° / 55°
Asymmetrical Optical Options	10° x 60°
Power Consumption (per metre)	30 Watts
Volt/DC	24
Chip Used	LG / Samsung / Cree
PCB Length (mm)	320 / 160
End cap combined length (mm)	13.4 / 11.4
Maximum serial connection (mm)	12000
Tc point °C	45
Current mA	770



Dimensions



Binning 2 Step - 4 Step MacAdam Ellipse



Part numbering key

