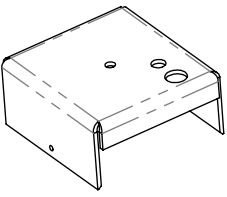

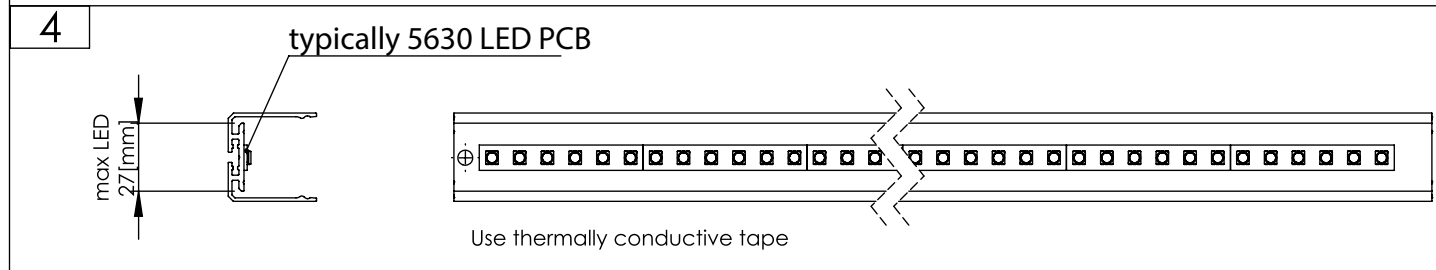
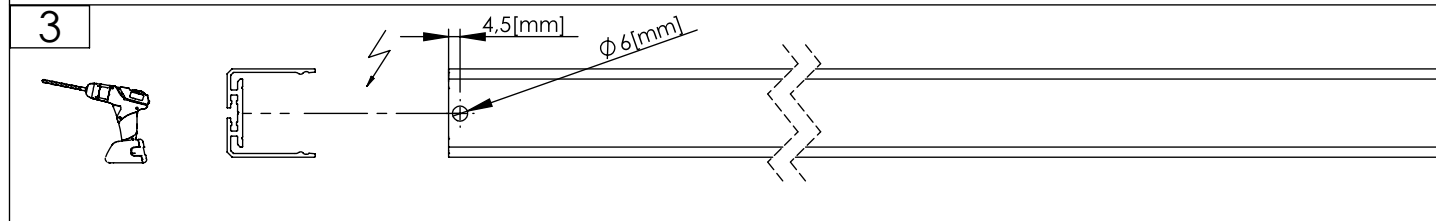
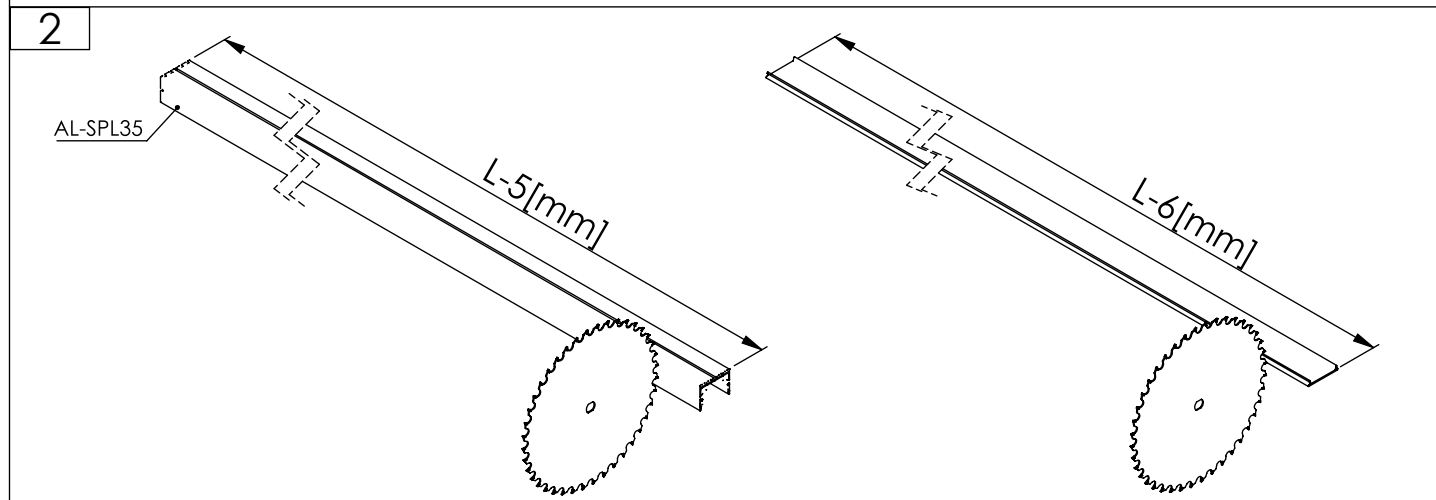
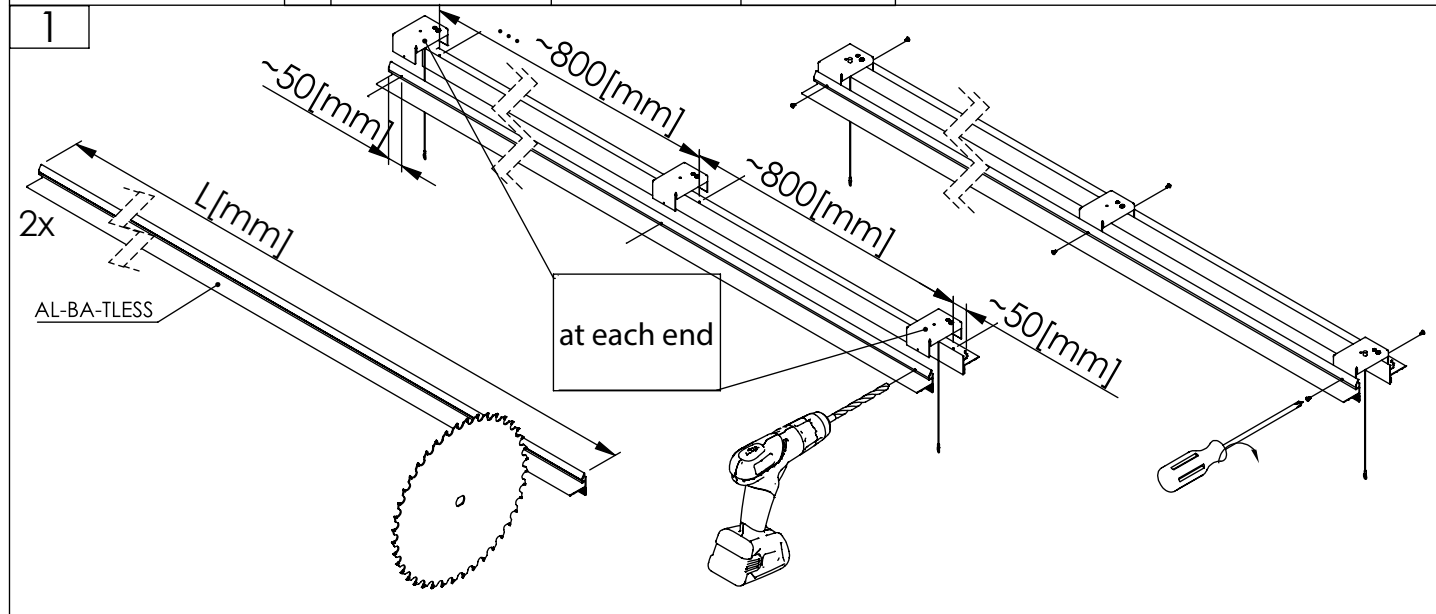
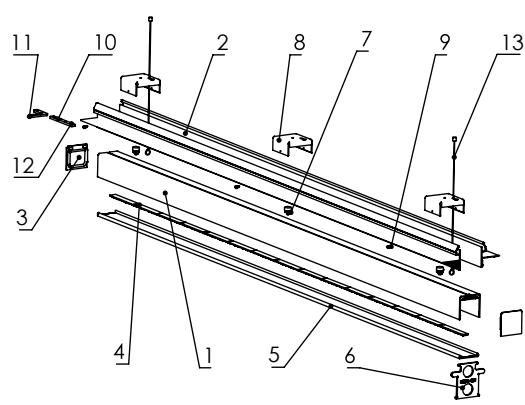
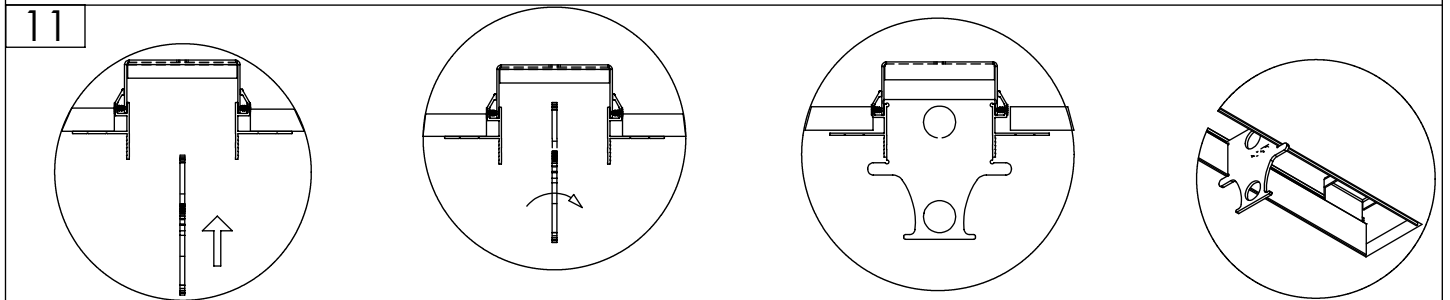
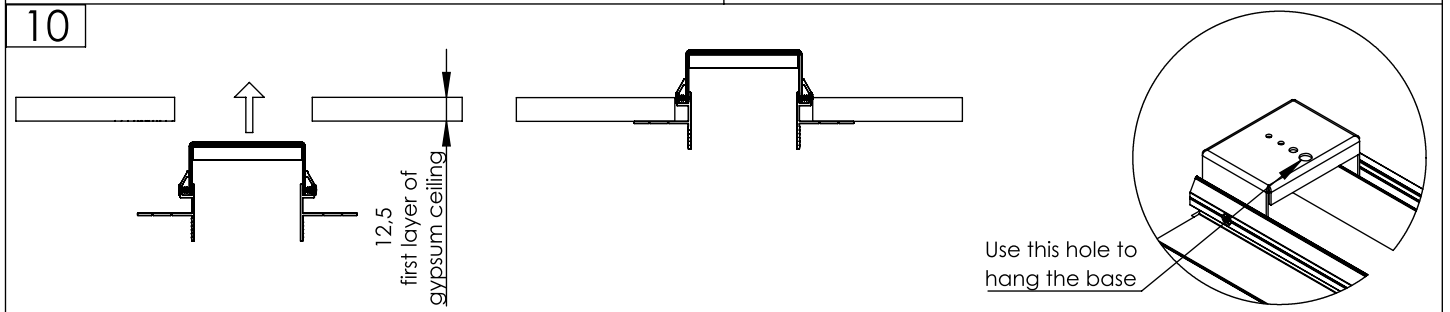
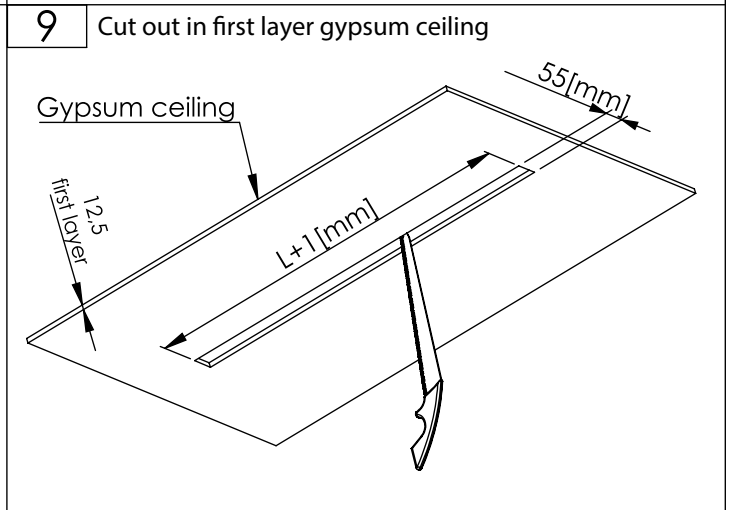
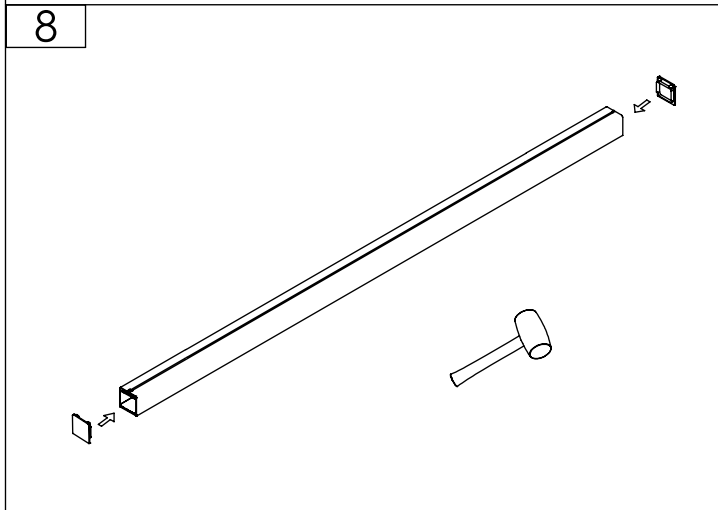
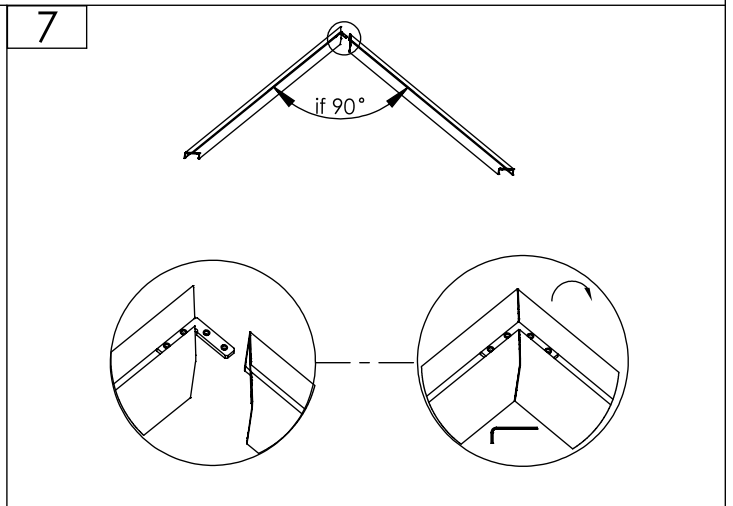
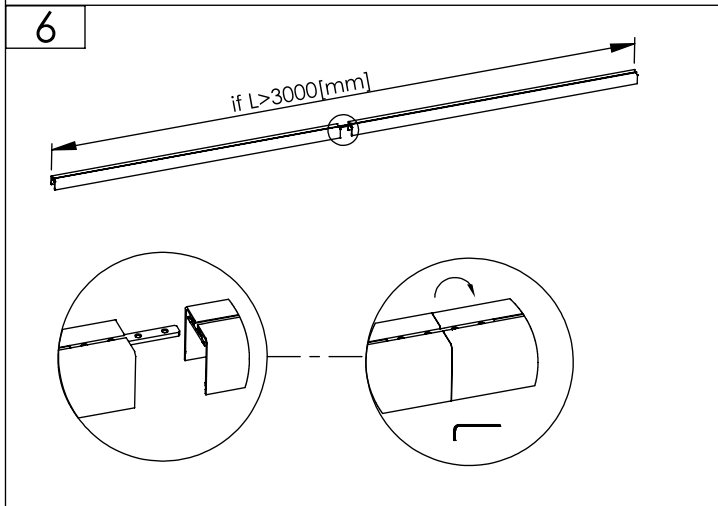
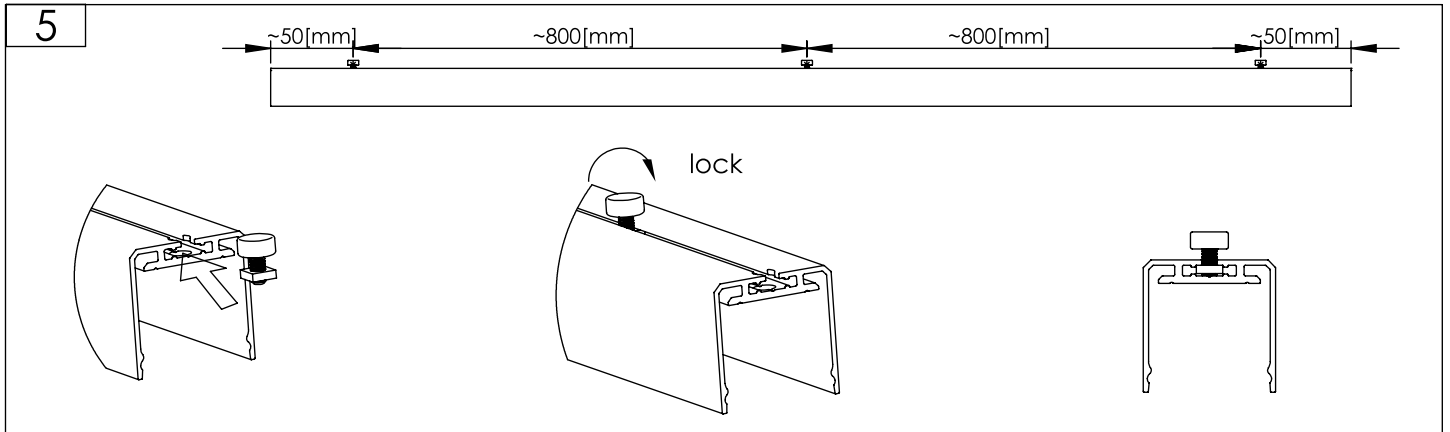


Instruction for mounting

| SPL35_TRIMLESS | | Nr | Code | Comments | Quantity |
|---|----|---------------------------|----------------------|----------|------------------------------------|
| ceiling 2x12,5[mm]   | 1 | AL-SPL35 | 3[m] | | 1 |
| | 2 | AL-BA-TLESS | 2[m] or 3[m] | | 2 |
| | 3 | EC-SPL35 | end caps | | 2 |
| | 4 | 10x195 PCB with 5060 LEDs | LED | | |
| | 5 | AB-PL/PRI-K/M | 1, 2 or 3[m] | | 1 |
| | 6 | MC-KEY-SPL35 | | | 1 per meter |
| | 7 | MC-PL55-MAG | | | 1 per 1 MC-SPL35 |
| | 8 | MC-SPL35 | | | 2 per 1[m], 3 per 2[m], 4 per 3[m] |
| | 9 | DIN 7982 ST2.9x6.5 | | | 2 per MC_PL55 |
| | 10 | LC-SPL | profile >3[m] | | 1 per join |
| | 11 | 90LC-SPL | 90° linear connector | | 1 per join |
| | 12 | DIN 913 M3x4 | profile >3[m] | | 4 per join |
| | 13 | MC-PL55-LOCK | | | 2 per 1 luminaire |



Instruction for mounting



Instruction for mounting/

