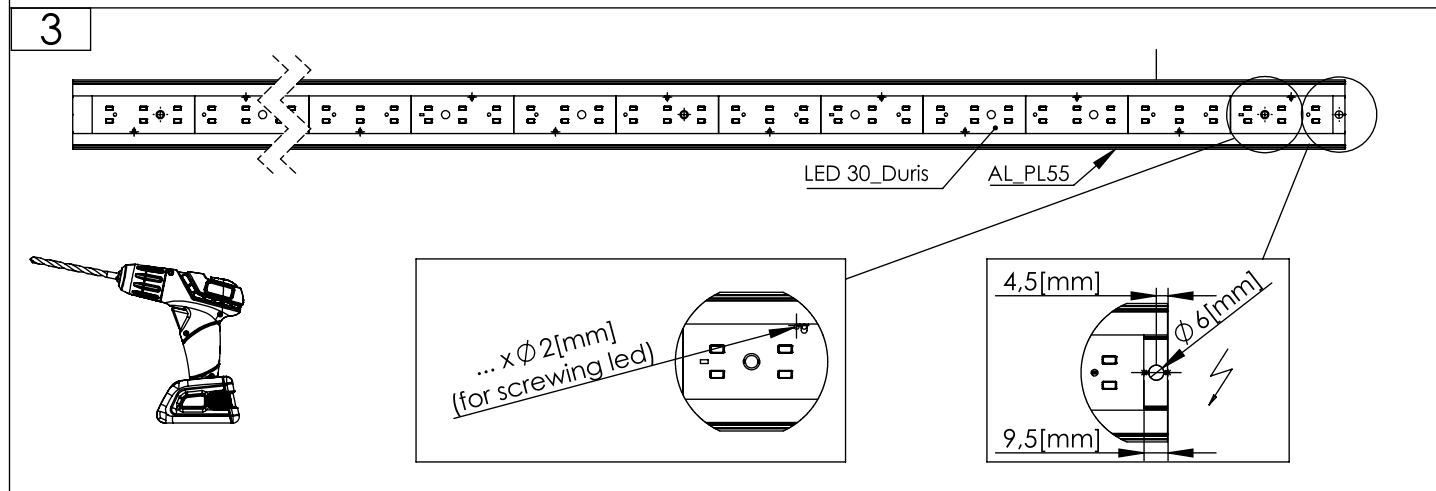
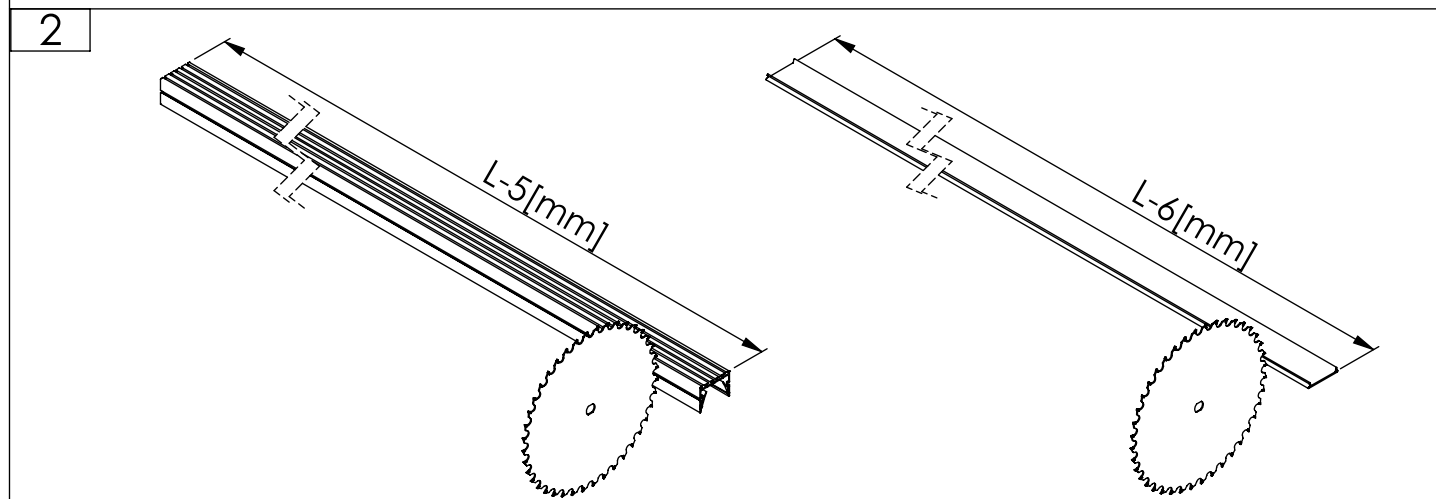
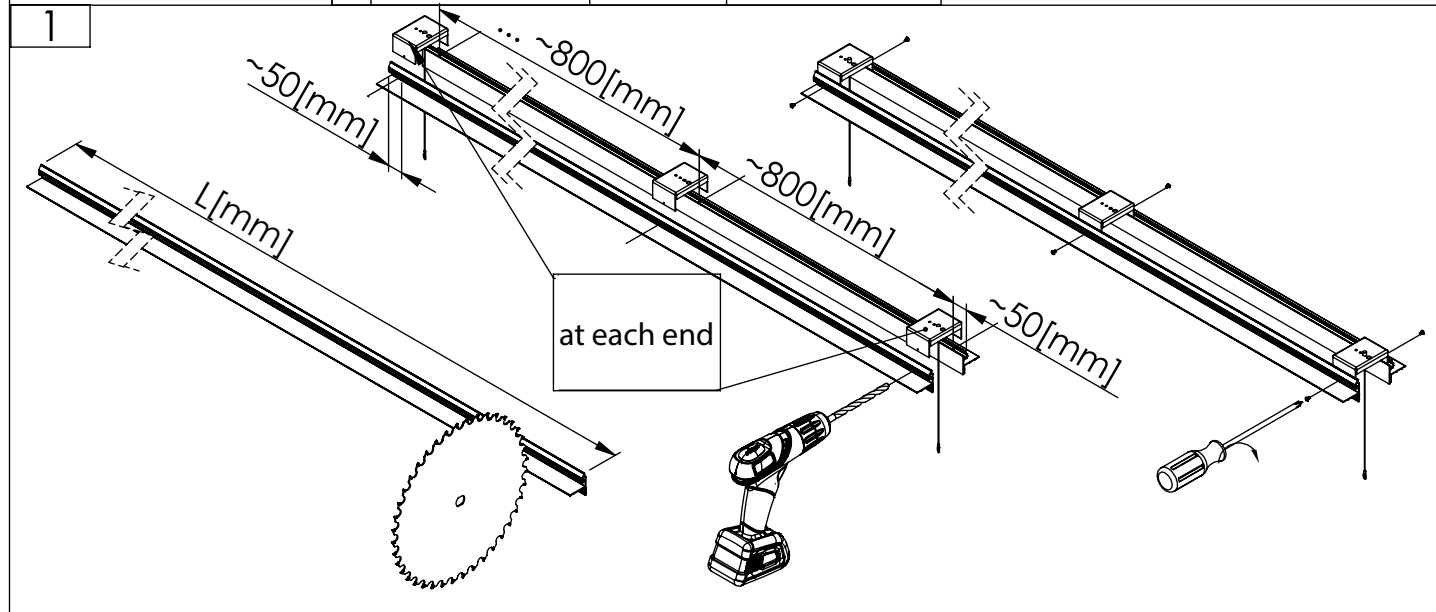
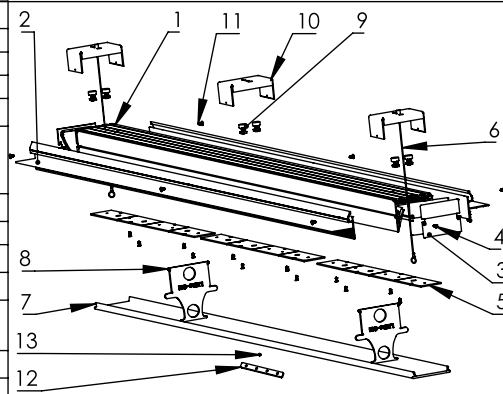
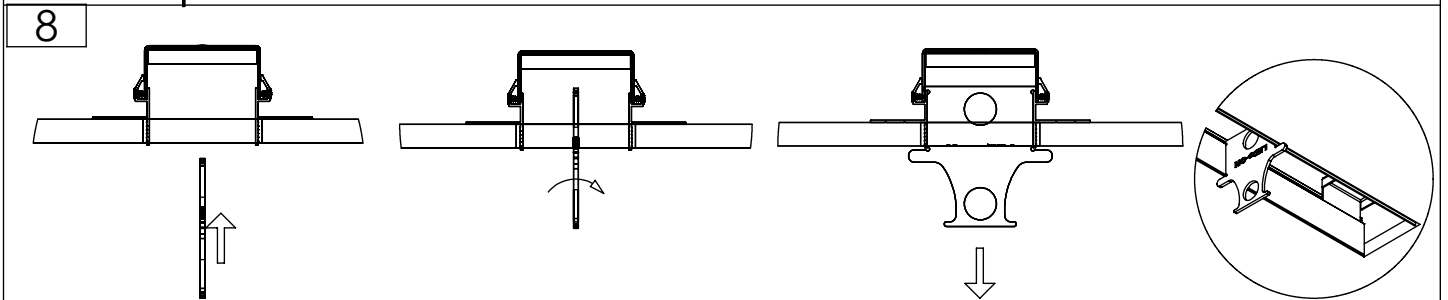
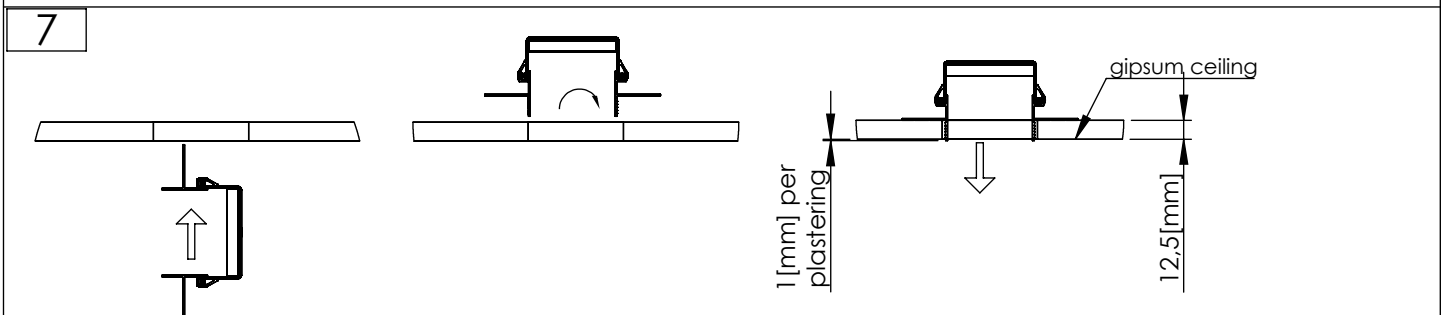
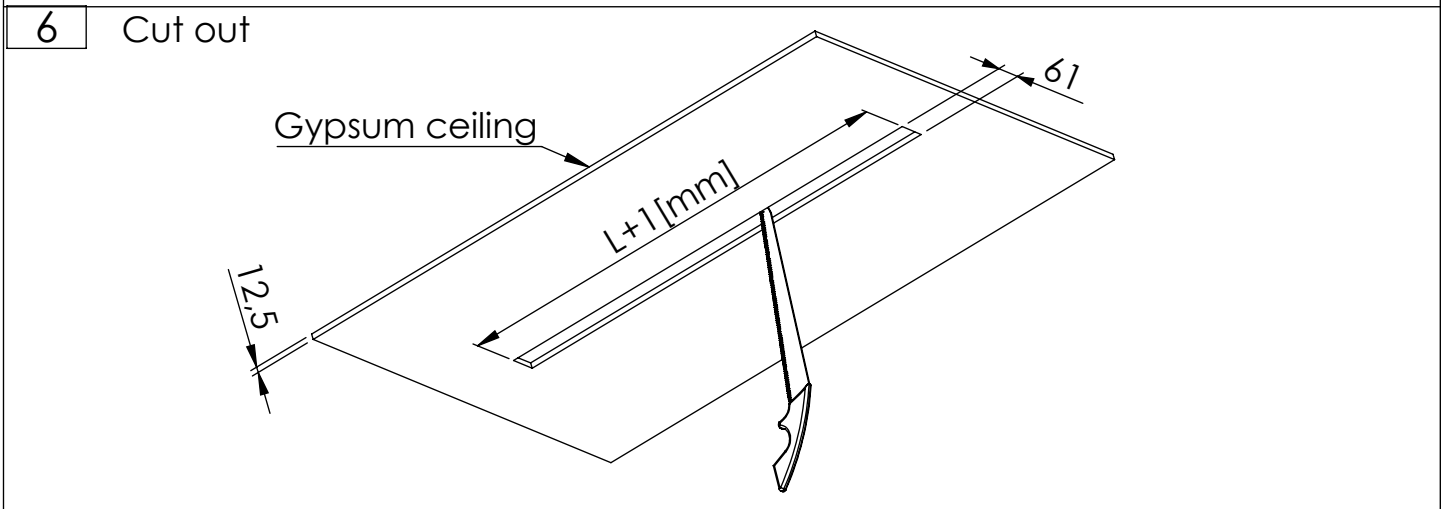
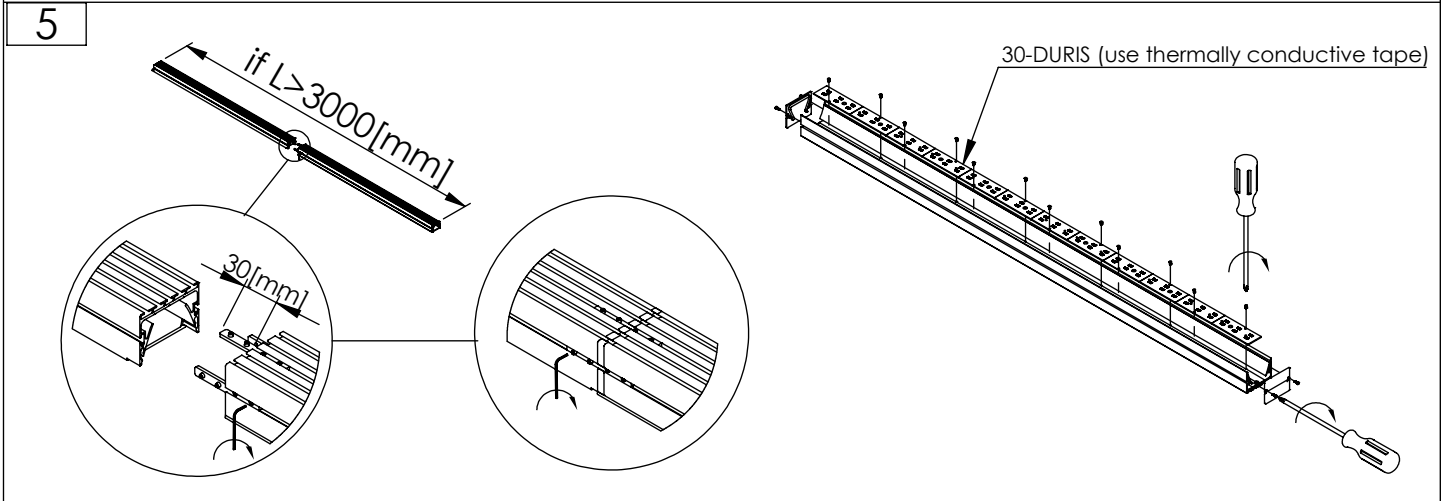
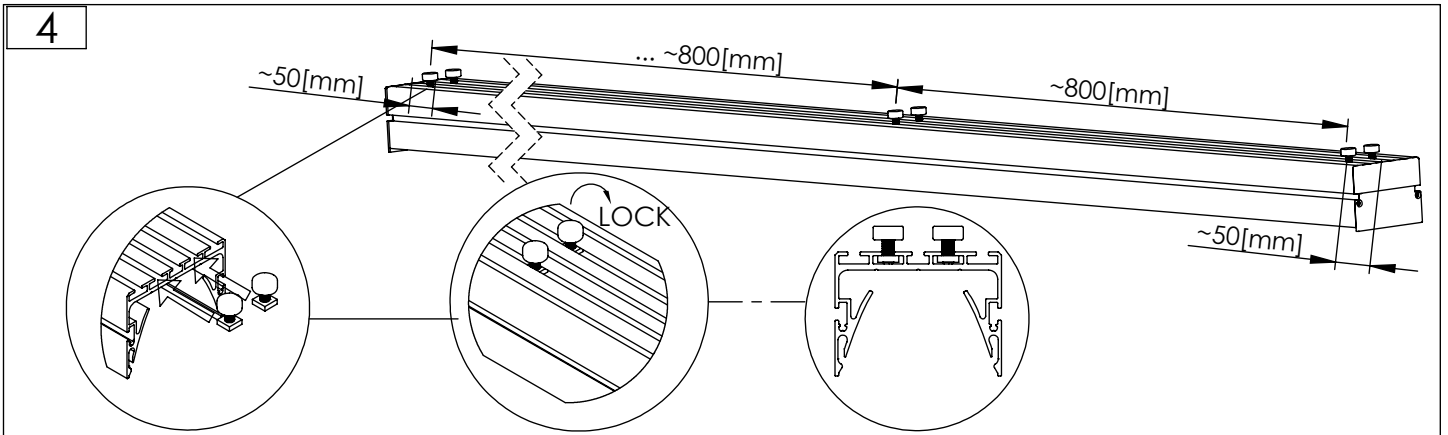


Instruction for mounting

Nr	Code	Comments	Quantity
PL55_TRIMLESS [ver. magnes]			
1	AL-PL55	1, 2 or 3[m]	1
2	AL-BA-TLESS	2[m] or 3[m]	2
3	EC-PL55		2
4	DIN 7982 ST2.2x9.5		2 per EC-PL55
5	30x325 PCB with Osram Duris E5 LEDs	LED	3 per [m]
6	MC-PL55-LOCK		2 per 1 luminaire
7	AB-PL55	2[m] or 3[m]	1
8	MC-KEY-PL55		1 per meter
9	MC-PL55-MAG		2 per 1 MC-PL55
10	MC-PL55		2 per 1[m], 3 per 2[m], 4 per 3[m]
11	DIN 7982 ST2.9x6.5		2 per MC_PL55
12	LC-SPL	profile >3[m]	3 per join
13	DIN 913 M3x4	profile >3[m]	12 per join



Instruction for mounting



Instruction for mounting/

