



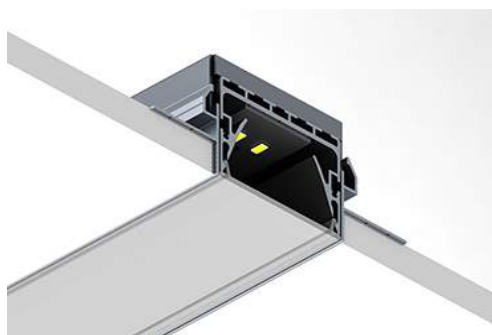
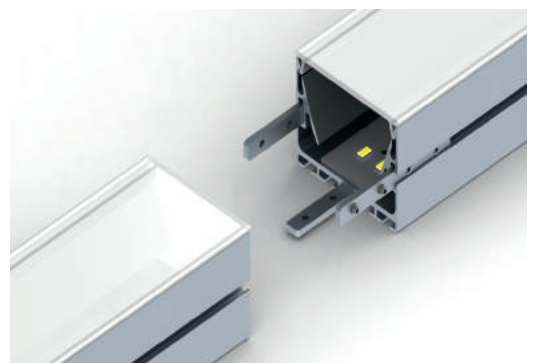
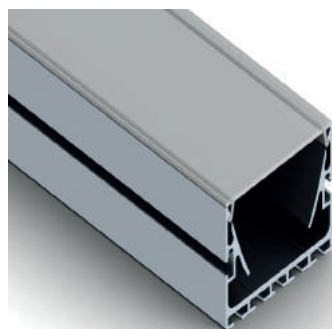
A BRIGHTER FUTURE

UK **LED** lighting

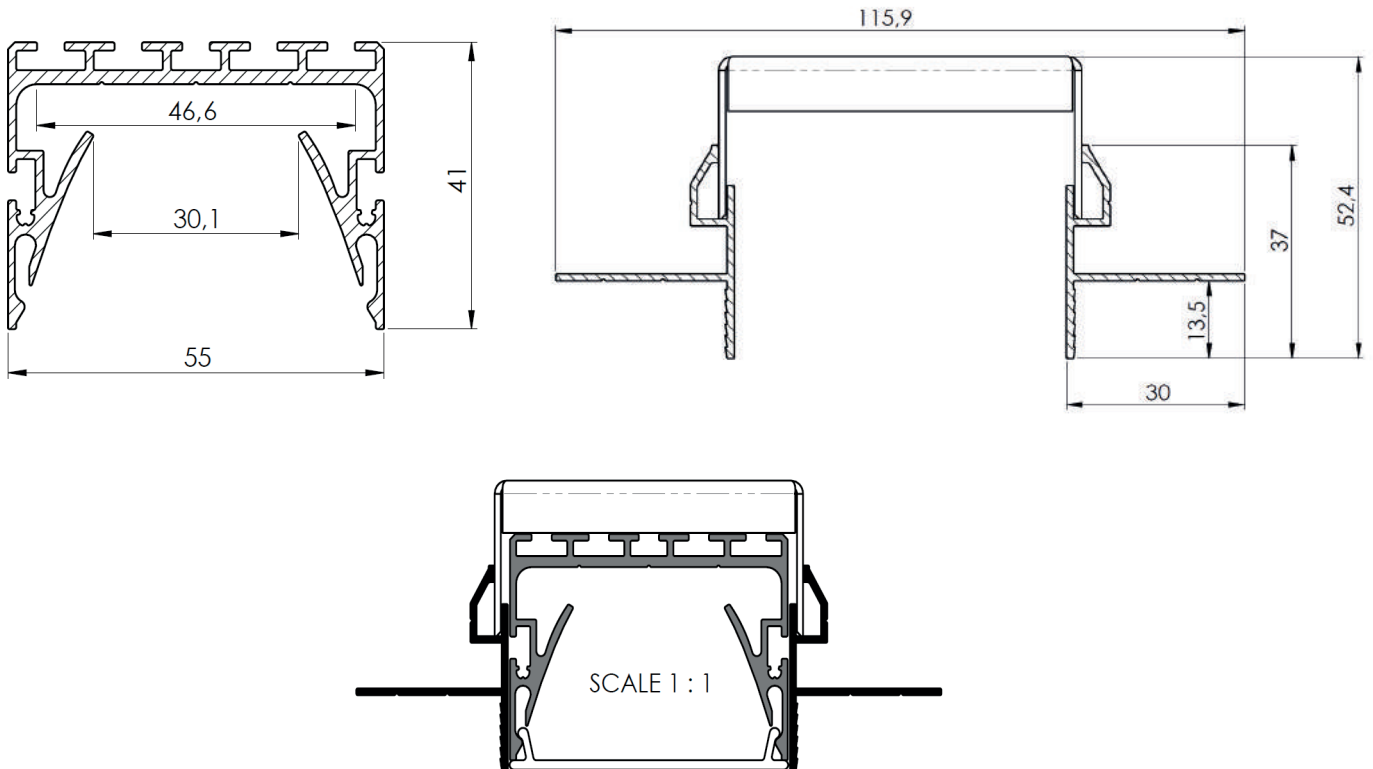
Powerline 55 Linear Pendant 46 Watt

Suspended , Recessed & Surface Mount IP54 Dimmable 50,000 hours

Part No.	E-30-2EC0X2-24-100-11-PL55R-PR
LED Pitch	7.15mm
CCT	2400k / 2700k / 2800k / 3000k / 4000k / 5700k
Lumen per Metre Prismatic Diffuser	2853 / 3459 / 3718 / 4021 / 4367 / 4756
CCT	2400k / 2700k / 2800k / 3000k / 4000k / 5700k
Lumen per metre Frosted Diffuser	2453 / 2974 / 3197 / 3458 / 3755 / 4090
Beam Angle	120°
Power Consumption (per metre)	46 Watt
Volt/DC	24
Chip Used	5630 Seoul Semi
PCB Length (mm)	100
end cap combined length (mm)	3+3=6
Extrusion / Diffuser length	3 metre max
Tc point °C	60



Dimensions



Part numbering key

