



A BRIGHTER FUTURE

UK **LED** *lighting*

Alu Groove LED

IC Current Control

IP20

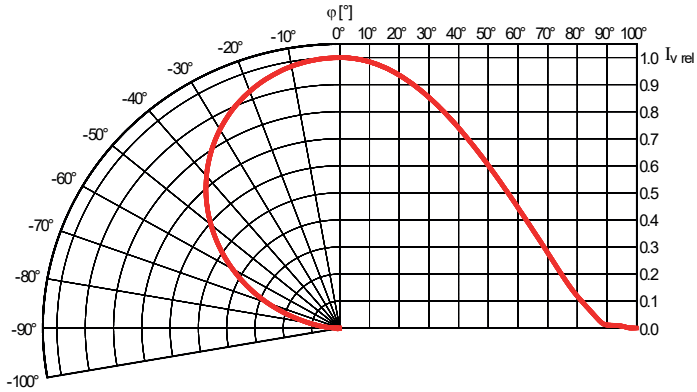
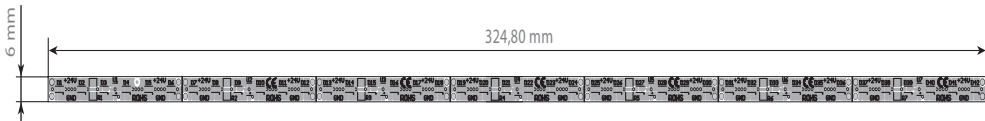
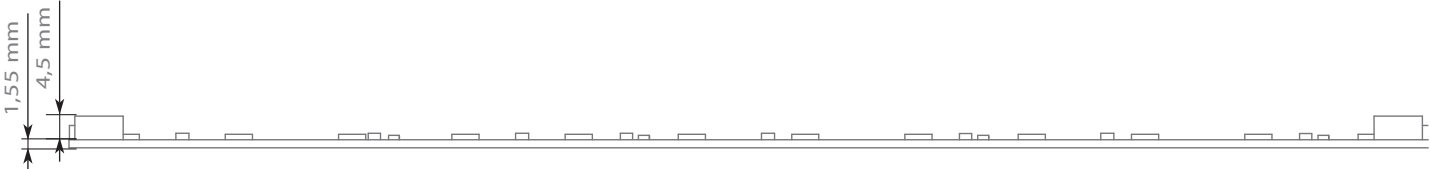
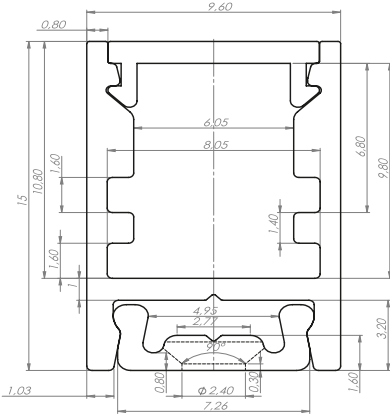
Dimmable

CE

Part No.	E-27-DC2-24-46-21-ALUGROOVE
LED Pitch	15mm
CCT	2700k / 3000k / 4000k / 5000k
Lumen Opal Diffuser	828 / 885 / 948 / 1023
Beam Angle	110°
Power Consumption (per metre)	9 Watts
Volt/DC	24
Chip Used	Osram 6 Duris
PCB Length (mm)	46
End cap combined length (mm)	2+2=4
Maximum serial connection (mm)	3000
Tc point °C	60
Lumen/Watt	130

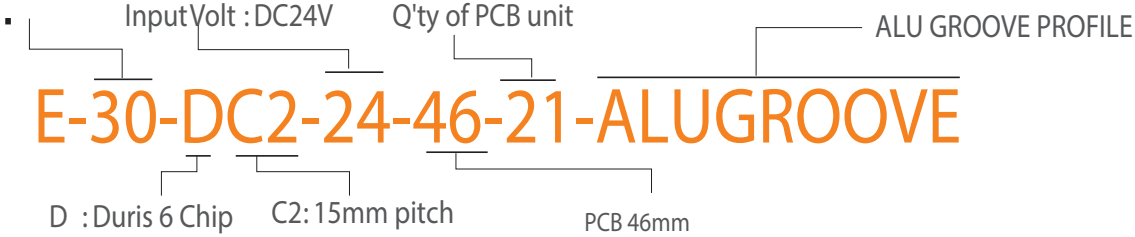


Dimensions



Part numbering key

CCT : 2700K -5000K



E-30-DC2-24-46-21-ALUGROOVE

