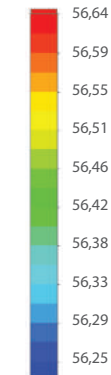
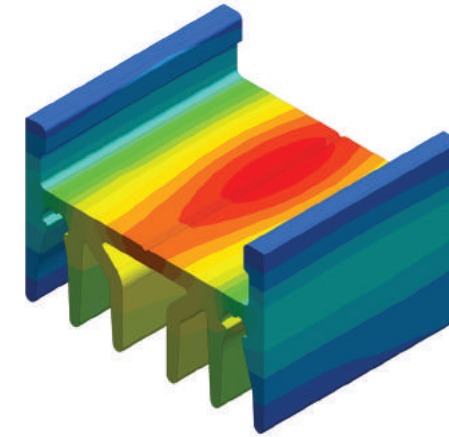
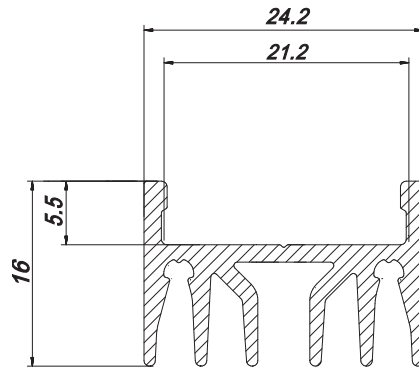


SUSPENDED - ALU EPOXY

ALU-EPOXY; 16 x 24mm

Is a high performance heavy duty LED profile, specifically designed to give extended life operation because of the excellent cooling characteristics of the heatsink, which can comfortably work at loads of up to 36W/M and a Tc point of 56 degrees.

Using optically clear or silicon resin, this pendant fitting can function as an IP67 high resistance linear heatsink that comes with special cables, end caps, and clear or frosted diffuser options.



Temperature (Solid) [°C]
 Temperature ambient: 25°C
 Total power: 36 W/m (72 LEDs)



Polar Candela Distribution Plot Using Missed Rays

