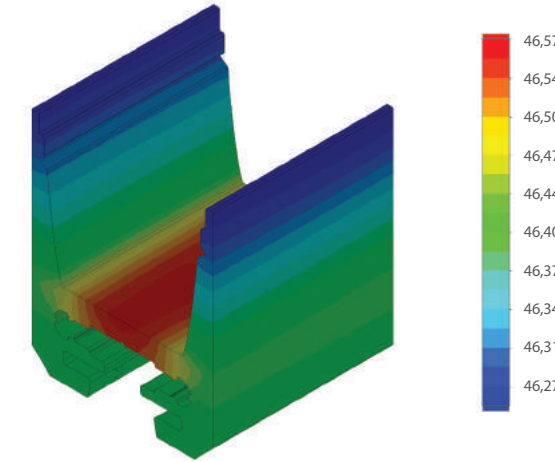
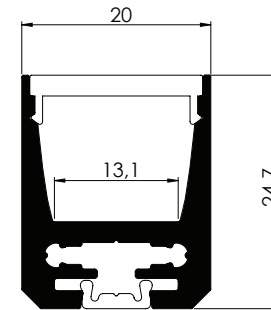


GROOVE 20 TRIMLESS LED PROFILE

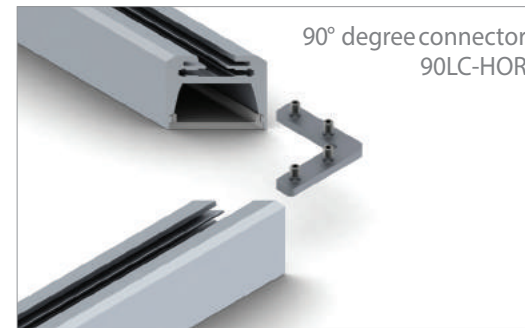
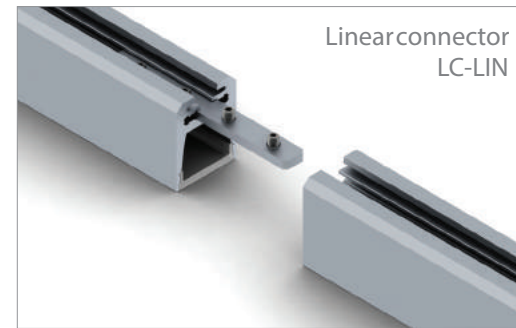
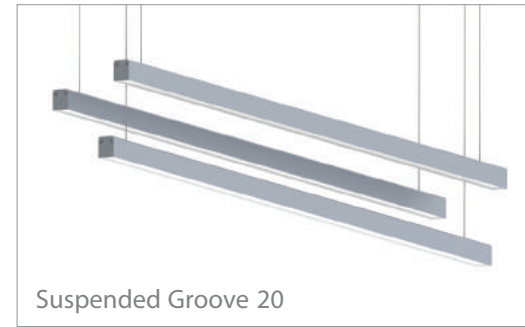
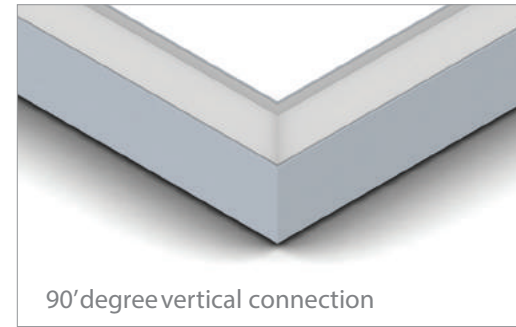
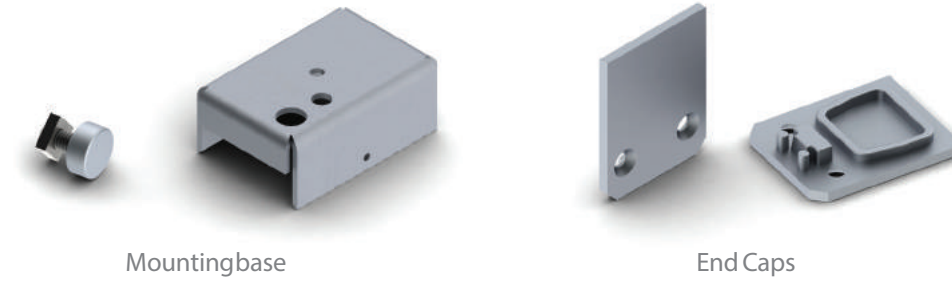
Groove20; 20 x 24,7 mm

Although this profile is small dimensionally, it nevertheless has a substantial heatsink for regulating heat dissipation (22W/M) at a stable working temperature of 47 degree C using mid power LED's up to 12mm PCB width.

Groove 20 also utilises low light reducing diffusers, which gives a smooth and effective evenly diffused pencil line of light in ceiling, wall and retail undershelf applications e.g. it is also indoor walk over safe, and by adding epoxy resin impregnation, it is equally suitable as an external inground solution. Custom built sizes available in 2200K - 10,000K CCT and also dynamic white and RGB.



Temperature (Solid) [°C]
 Temperature ambient: 25°C
 Total power: 21,6W/m (90LEDs)



Polar Candela Distribution Plot Using Missed Rays

