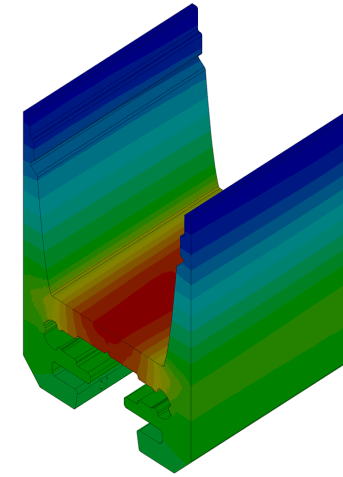
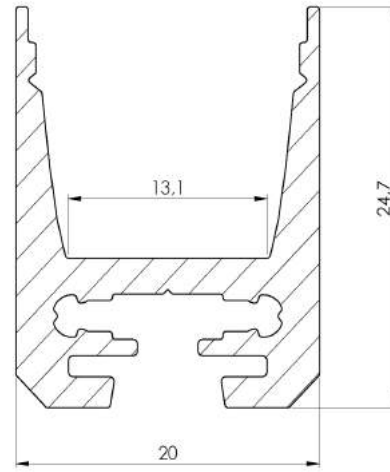


GROOVE20 SUSPENDED LED PROFILE

Although this profile is small dimensionally as a designated suspension fitting, it nevertheless has a substantial heatsink for regulating heat dissipation (22W/M) at a stable working temperature of 47 degree C using mid power LED's up to 12mm PCB width.

Apart from end caps and suspension accessories, Groove 20 also utilises low light reducing diffusers for smooth and very effective light distribution, and perfect visually, as a miniature suspension luminaire.



Temperature (Solid) [
Temperature ambient:
Total power: 21,6 W/m

