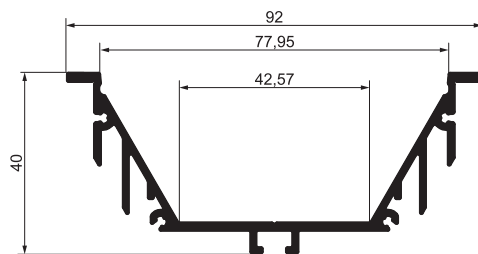


RECESSED POWERLINE 80 LED PROFILE

RPL80; 92 x 40 mm

This recessed option can accommodate any chip LED PCB solution up to 35W/M, according to the light levels required. With its specially designed internal chamber, both to eliminate light loss and guide maximum illumination directly up towards the snap on diffuser, it's perfect for office and retail ceiling solutions where both appearance and effect are of equal importance. UK custom built sizes in 2200-10,000K CCT , RGB & dynamic white LED.



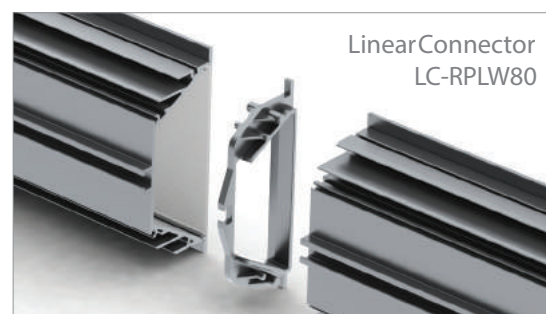
MountingBracket



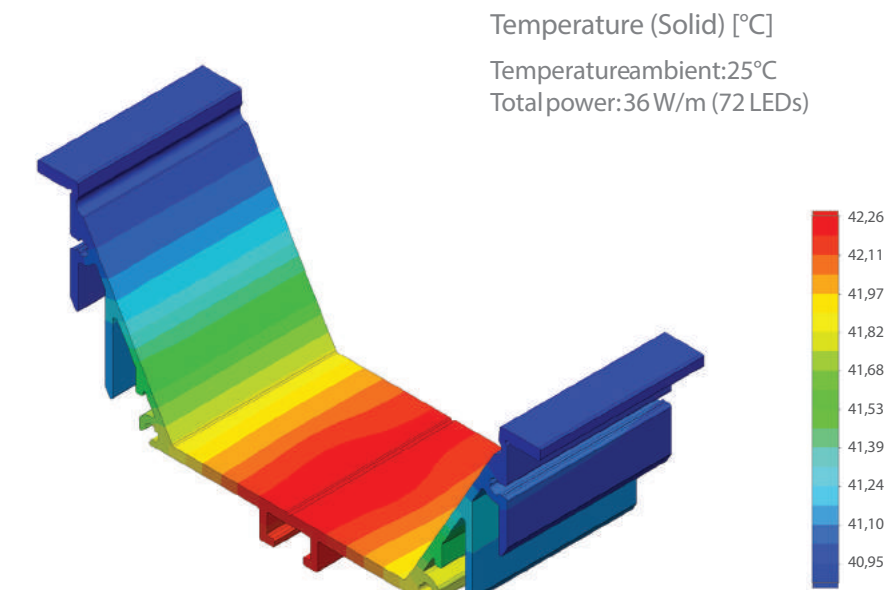
EC-RPLW80 End Caps



LC-RPLW80 Linear Connector



Linear Connector
LC-RPLW80



Polar Candela Distribution Plot
Using Missed Rays

