

ALU-GROOVE

9x 15mm



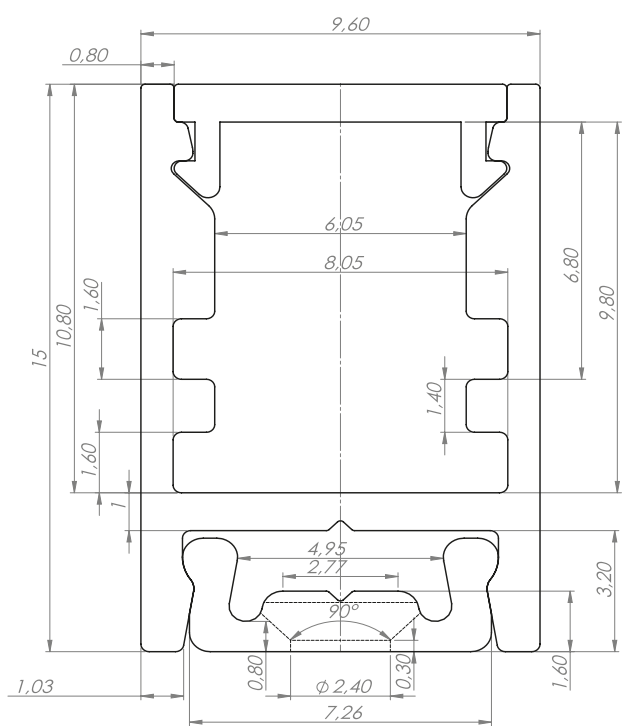
AL-SS
AB-SS



AL-SS
AB-SS
EC-SS

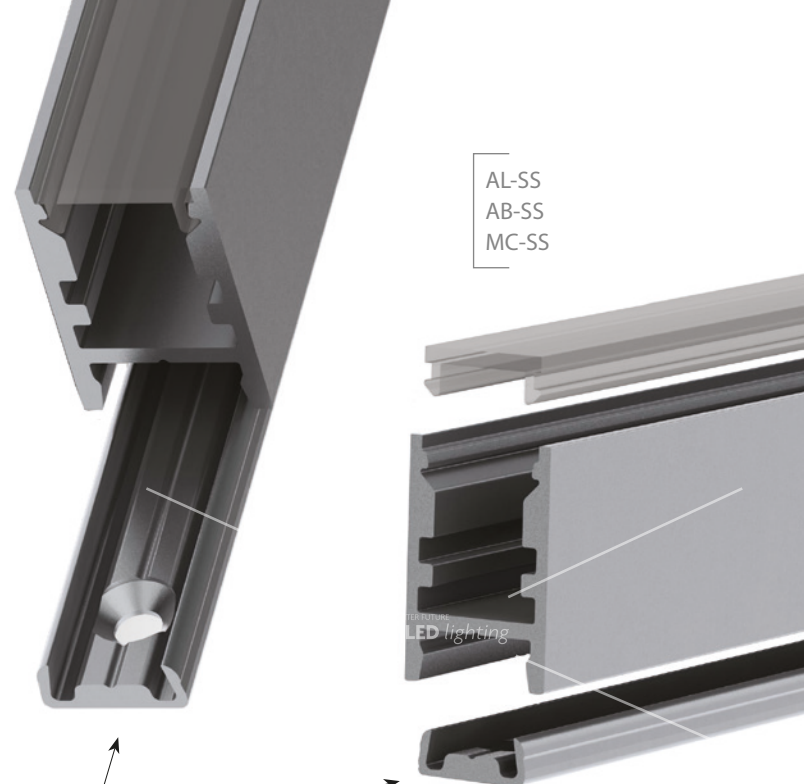


EC-SS
End Caps



DESCRIPTION

This tiny profile (9mm x 15mm) has been designed specifically for being built into wood and other surfaces, and is a suitable application for Micro LED PCB. It comes with a polycarbonate UV resistant, clear and frosted diffuser, which can be clicked into place and removed from the top. If you decided to use our high density Micro LED with a frosted diffuser e.g. you can create an even and diffused lighting solution that gives a completely unrivalled illuminating effect. Alu Groove is available in all single colours comes with an easy to assemble click on base which produces both a strong and robust finish.



AL-SS
AB-SS
MC-SS

MC-SS
(installation base)

