



A BRIGHTER FUTURE

UK **LED** lighting

## Reflector LED Bar RGB 25mm Pitch

IP20

DMX Dimmable

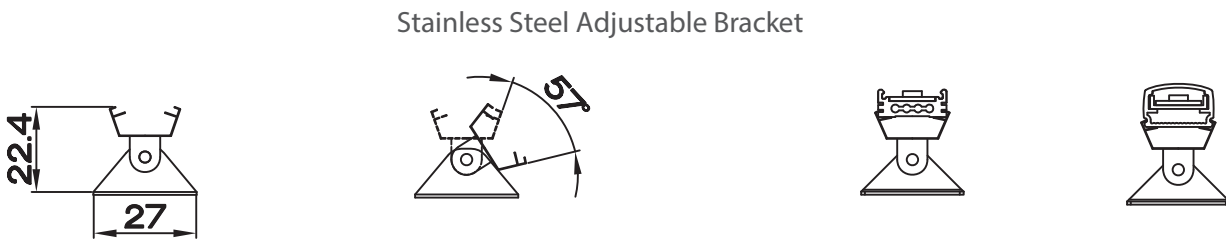
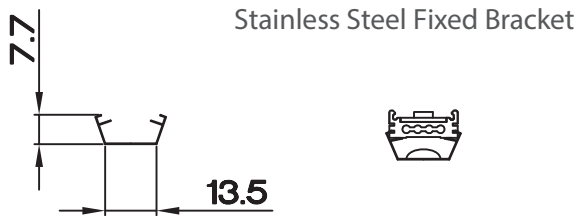
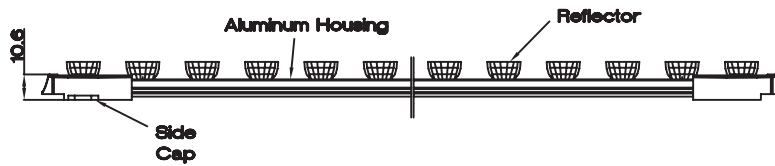
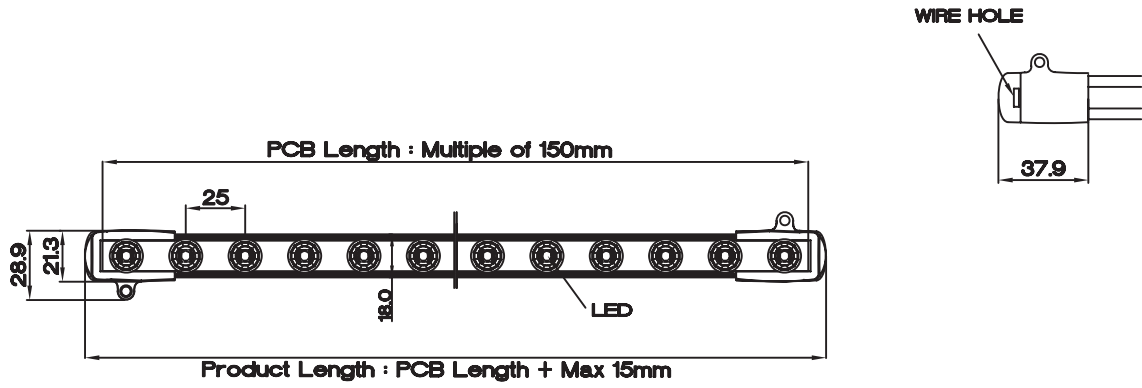
Colour 3 in 1 LED



Part No.	E-RGB-1HC3-24-150-8-RSC2
LED Pitch	25mm
CCT	Red - 625nm / Green - 525nm / Blue - 460nm
Lumen	779
Beam Angle	120°
Power Consumption (per metre)	34.6 Watts
Volt/DC	24
Chip Used	Acrosntec RGB Mid Power
PCB Length (mm)	150
End cap combined length (mm)	21
Maximum serial connection (mm)	4200
Tc point °C	70
Current mA	1201



# Dimensions



## Part numbering key

