



A BRIGHTER FUTURE

UK **LED** lighting

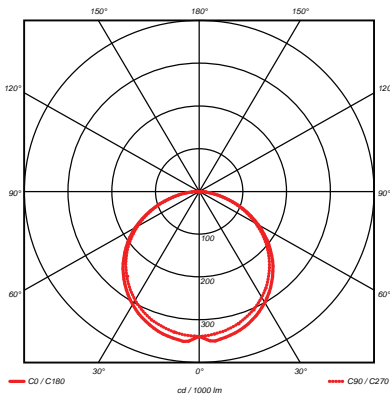
Micro X LED Bar 25mm

LDT /IES files

IP54

High CRI option

Dimmable

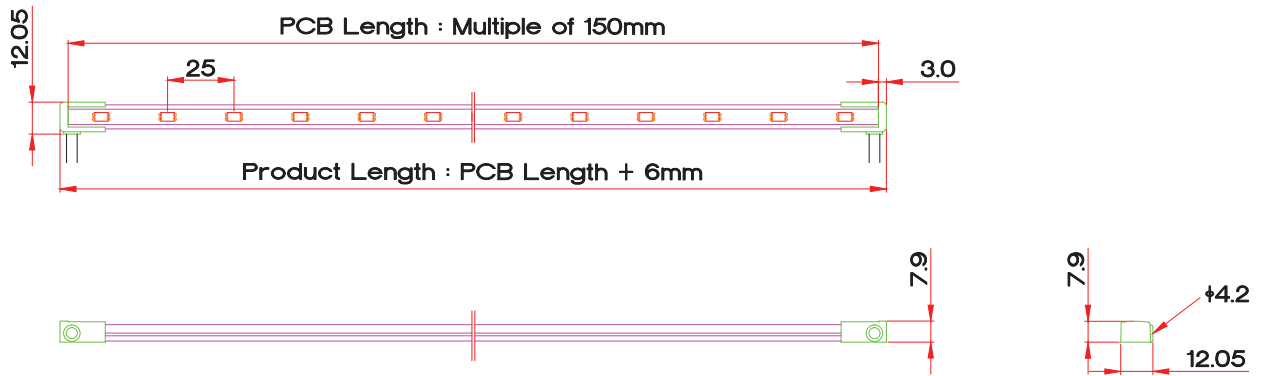


Part No.	E-28-2EC3-24-150-6-SSC2
LED Pitch	25mm
CCT	2400k / 2600k / 2800k / 3000k / 4000k / 5700k
Lumen CRI 85	806 / 975 / 1047 / 1143 / 1241 / 1348
CCT	2600k / 2800k / 3000k / 4000k
Lumen CRI 92	670 / 722 / 861 / 925
Beam Angle	120°
Power Consumption (per metre)	12.7 Watts
Volt/DC	24
Chip Used	5630 Seoul Semiconductor
PCB Length (mm)	150/75
Flat end cap combined length (mm)	3+3=6
Straight end cap combined length (mm)	11+11=22
Maximum serial connection (mm)	3500
Tc point °C	50
Lumen/Watt	63-106

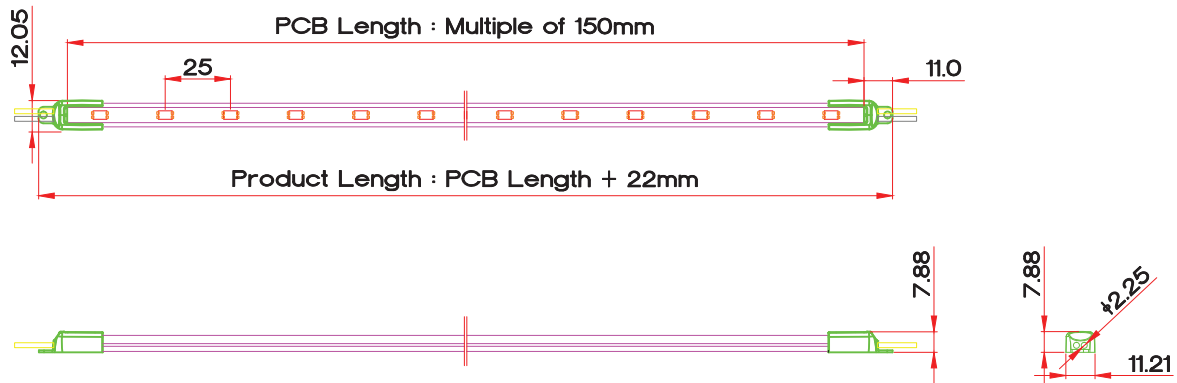


Dimensions

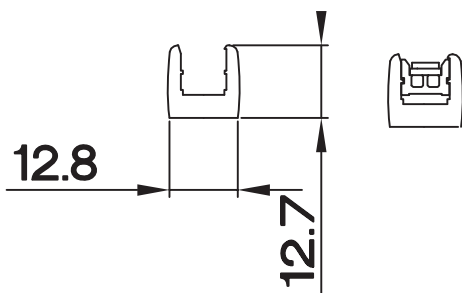
Flat end side wired end cap



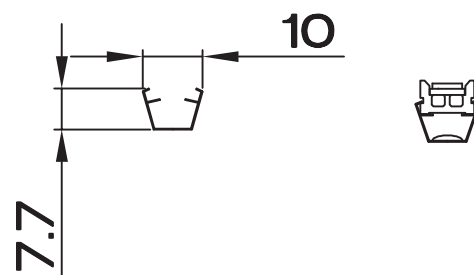
Straight end cap with fixing lug



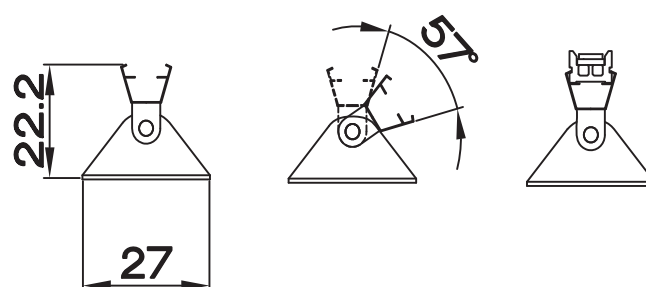
nylon fixing clip



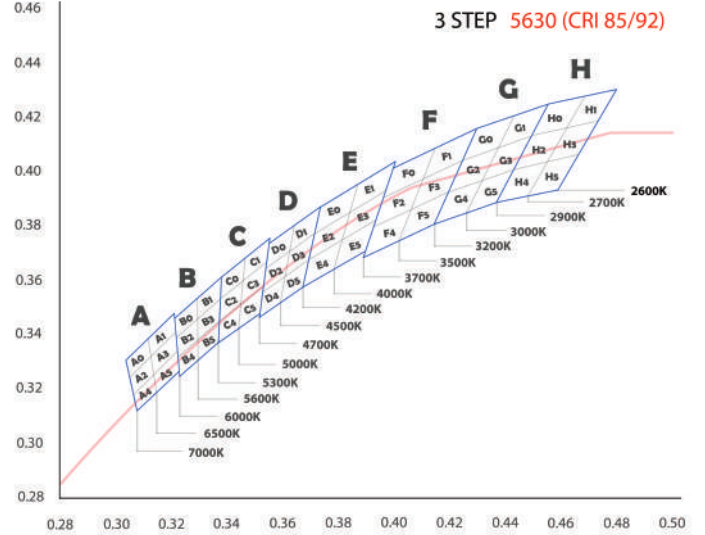
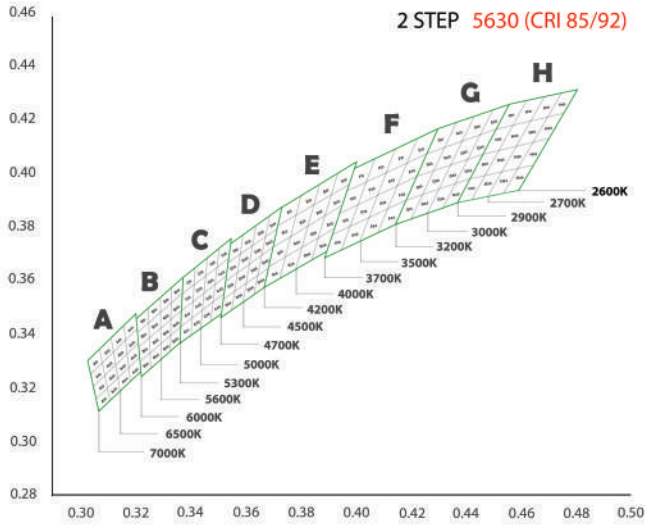
stainless steel fixing clip



adjustable stainless fixing clip



Binning 2 or 3 step MacAdam Ellipse



3 Step MacAdam Ellipse by default

Part numbering key

