



A BRIGHTER FUTURE

UK **LED** lighting

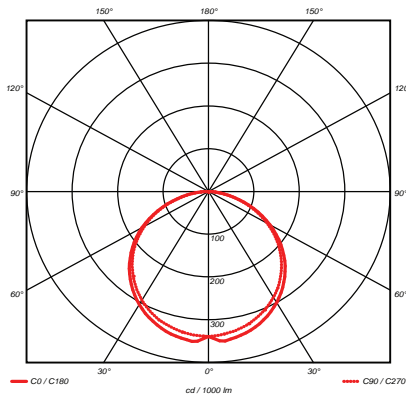
Micro X LED Bar 18.75mm

LDT /IES files

IP54

High CRI option

Dimmable

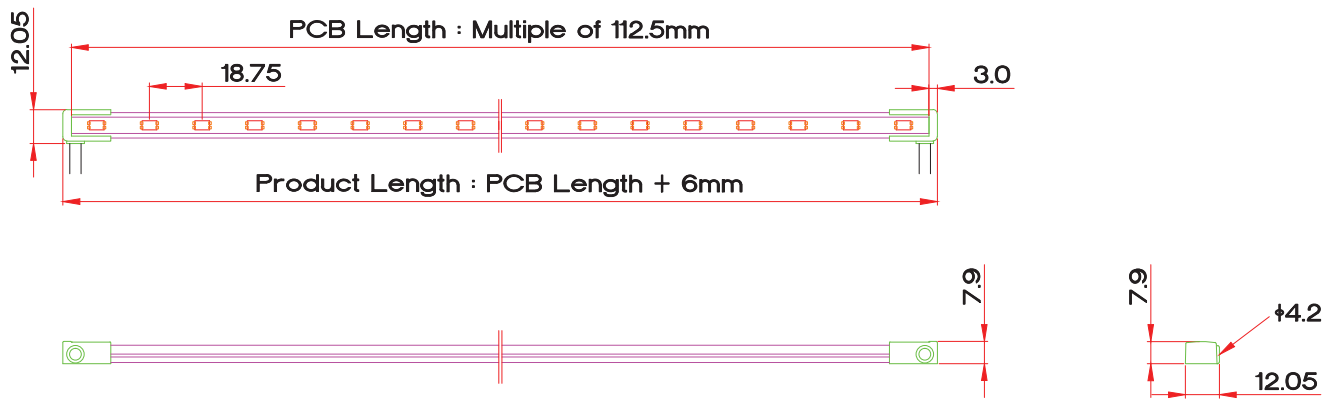


Part No.	E-28-2EC2-24-112.5-8-SSC2
LED Pitch	18.75mm
CCT	2400k / 2600k / 2800k / 3000k / 4000k / 5700k
Lumen CRI 85	1018 / 1231 / 1322 / 1444 / 1568 / 1702
CCT	2600k / 2800k / 3000k / 4000k
Lumen CRI 92	843 / 912 / 1088 / 1168
Beam Angle	120°
Power Consumption (per metre)	16 Watts
Volt/DC	24
Chip Used	5630 Seoul Semiconductor
PCB Length (mm)	112.5/56
Flat end cap combined length (mm)	3+3=6
Straight end cap combined length (mm)	11+11=22
Maximum serial connection (mm)	2200
Tc point °C	55
Lumen/Watt	64-106

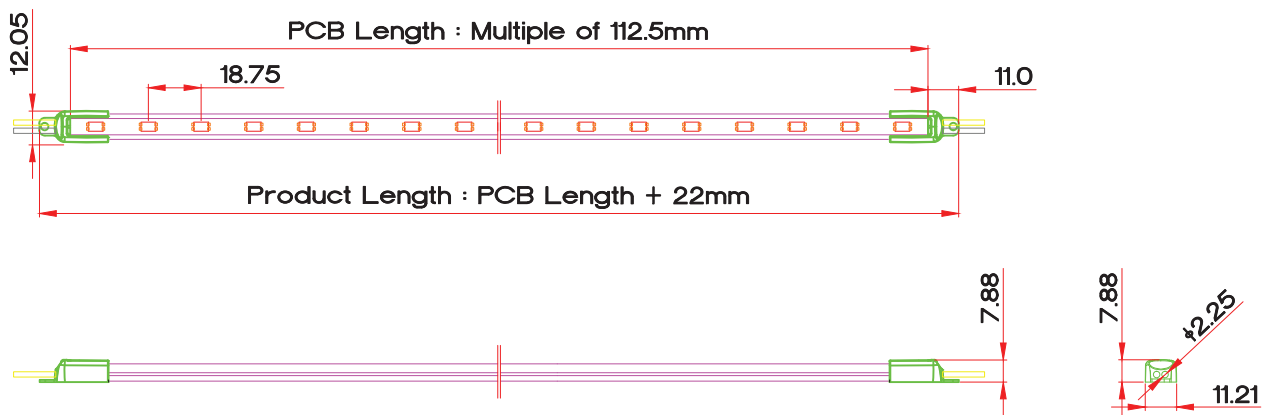


Dimensions

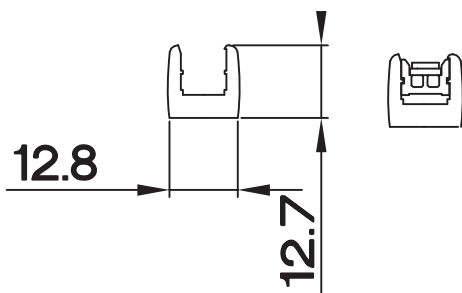
Flat end side wired end cap



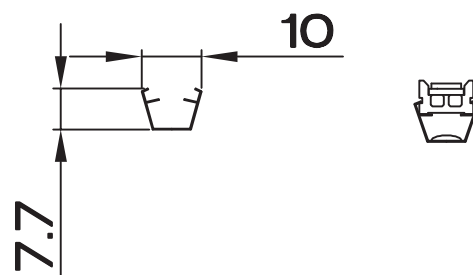
Straight end cap with fixing lug



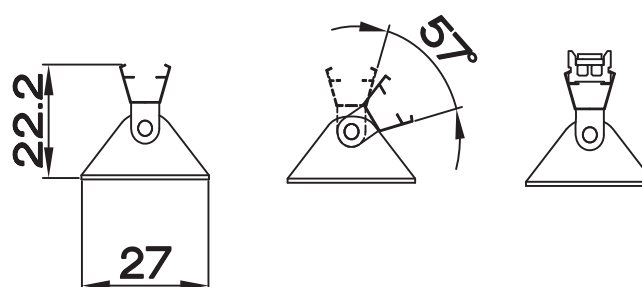
nylon fixing clip



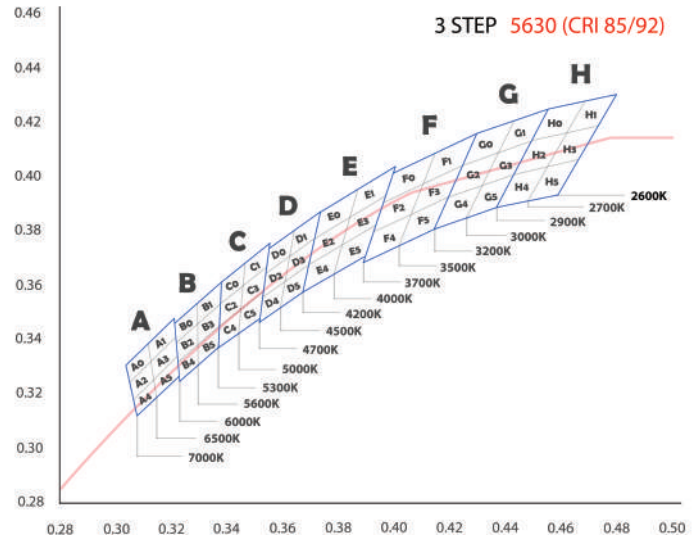
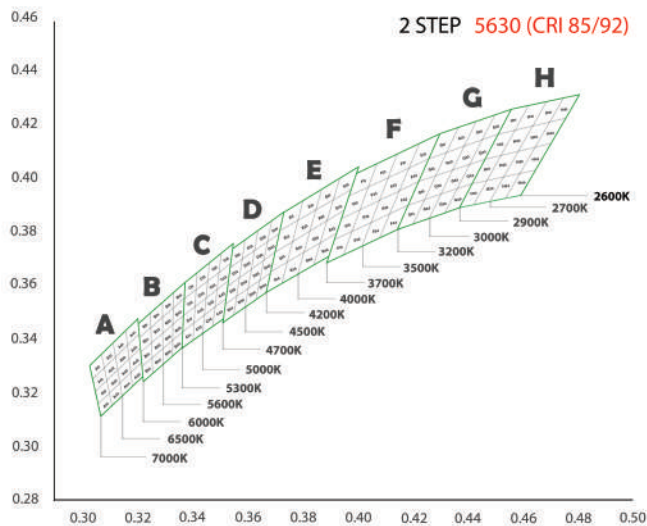
stainless steel fixing clip



adjustable stainless fixing clip



Binning 2 or 3 step MacAdam Ellipse



3 Step MacAdam Ellipse by default

Part numbering key

