



A BRIGHTER FUTURE

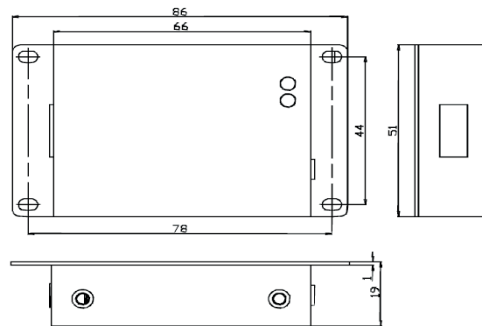
UK LED lighting

X-Multi Dimmer - RGB control

IP20

CE

| | |
|-----------------------|---|
| Power Requirement | 6~24VDC, 6.5A Max |
| Input | 2pin terminal socket (for DC power) IR sensor socket |
| Output | 4pin terminal socket. Loading max 6A |
| Dimension (mm) | 86 (L) x 51 (W) x 19H |
| Weight | 150g |
| Control | DMX-512 (1990) |
| Operation Temperature | 0 - 40°C |
| Storage Temperature | -20 - 70°C |



www.ukledlighting.com

Head Office
UK LED Lighting
Derby Road
Kingsbridge
Devon
TQ7 1JL

Tel: +44 (0)1548 853878
Fax: +44 (0)1548 856820
Email: enquiries@ukledlighting.com

UK LED Lighting
Queens House
Paragon Street
Hull
East Riding of Yorkshire
HU1 3NQ

Tel: +44 (0)1482 506333
Email: phil.irvin@ukledlighting.com

UK LED Lighting
8 Grange Close
Buckingham
Buckinghamshire
MK18 1JJ

Tel: +44 (0)1280 817284
Email: barry.mcgowan@ukledlighting.com