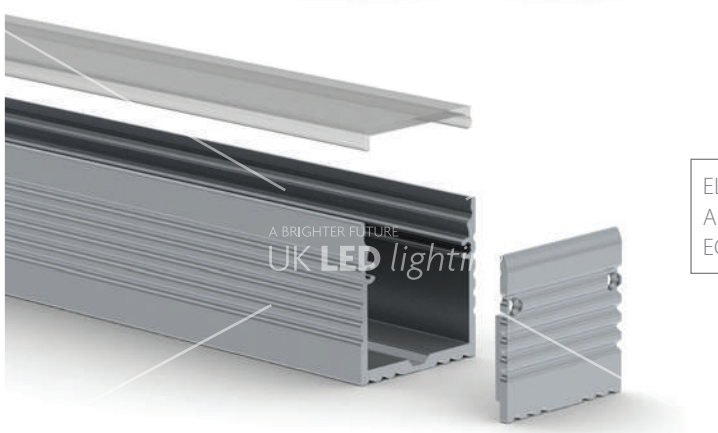
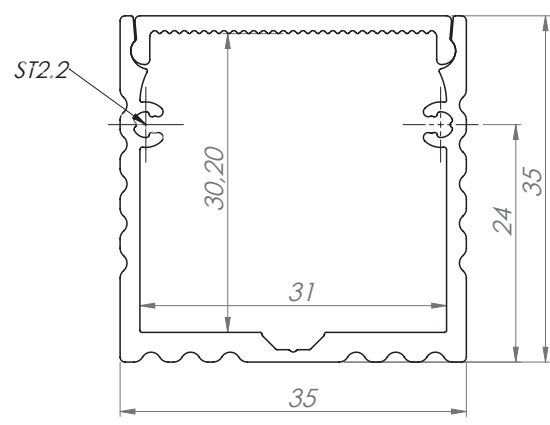
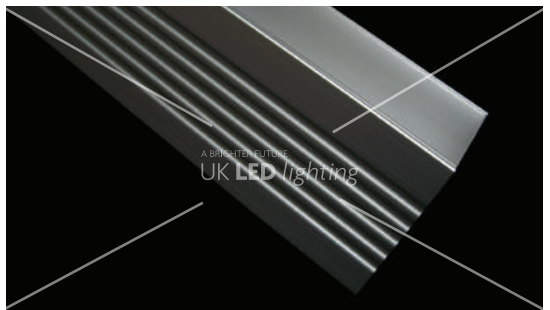


POWER LINE 35mm

PLA; 35x35mm

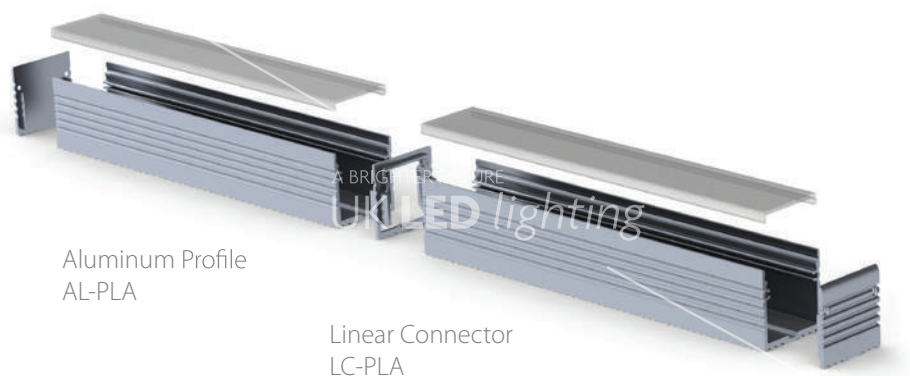


EL-PLA
AB-PLA
EC-PLA



DESCRIPTION

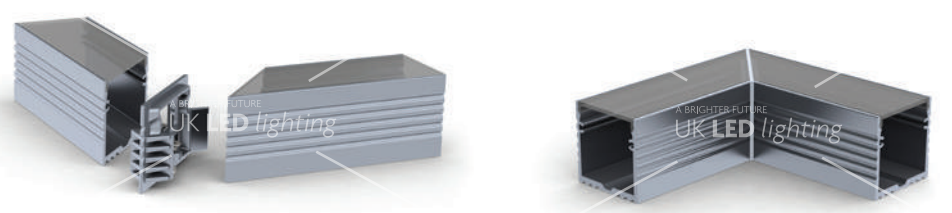
This high quality silver anodised profile of contemporary design, is aimed directly at the existing fluorescent tube replacement market, utilising high output, stable energy efficient LED linear solutions. Suitable for most office, showroom and library ceiling lighting installations, since it can be supplied as a ceiling recessed, surface mount or suspension fitting according to choice.



Aluminum Profile
AL-PLA

Linear Connector
LC-PLA

End Caps
EC-PLA



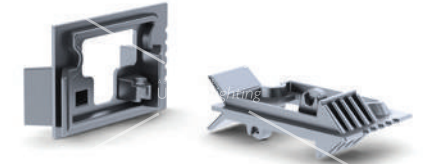
90° Connector
90-LC-PLA



End caps type
EC-PLA



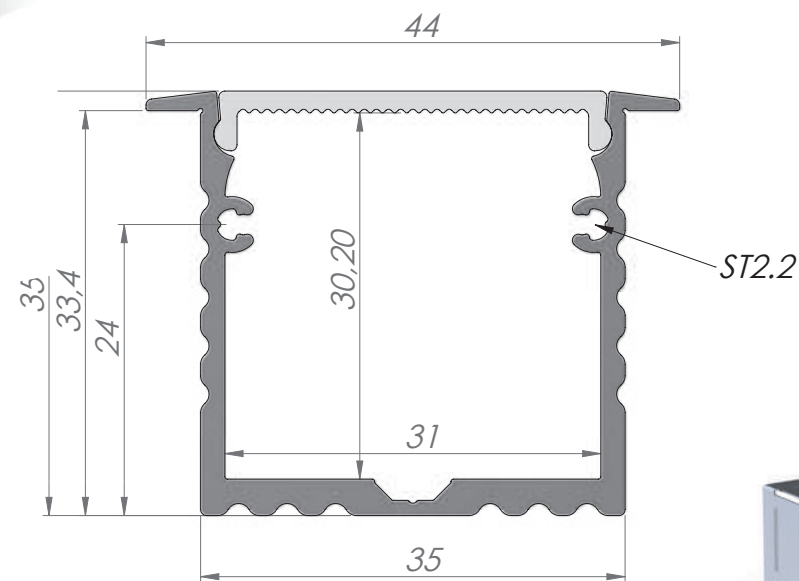
Linear Connector
LC-PLA



90° Connector
90-LC-PLA

RECESSED POWER LINE 35mm

RPLA; 35 x 35mm



MC-RPLA
Mounting Bracket



EC-RPLA
End Caps



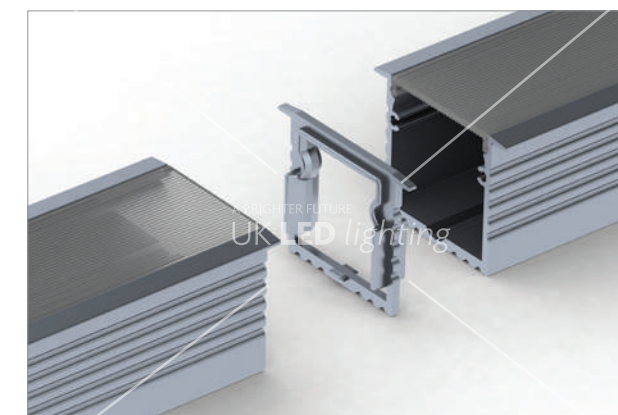
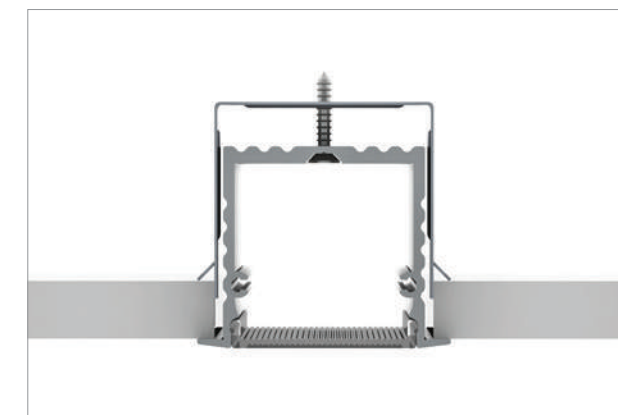
LC-RPLA
Linear Connector

EL-RPLA
AB-PL
MC-RPLA

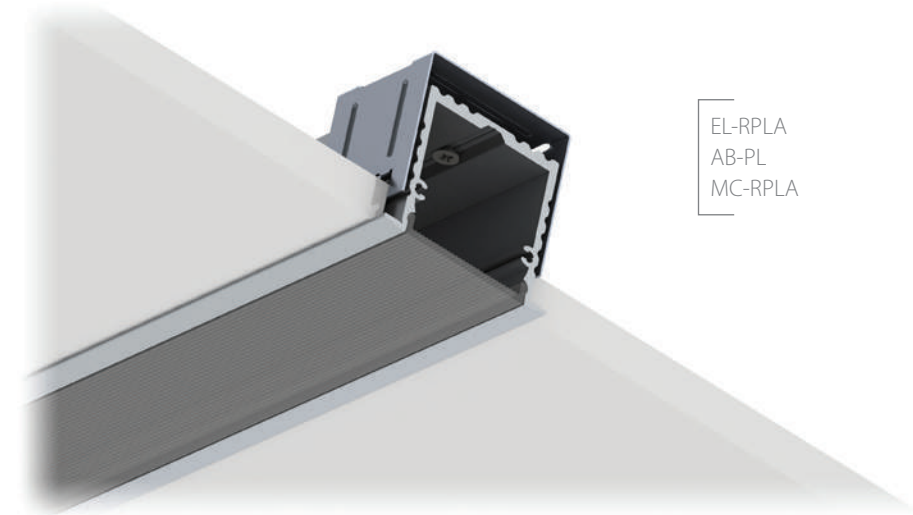
EL-RPLA
AB-PL
EC-RPLA

DESCRIPTION

This stylish recessed aluminium profile has been specially developed for main lighting schemes in gypsum ceiling installations, and capable of supporting high output LED's up to 30W/M if required. With a choice of snap in frosted or clear diffuser, this design is a very professional LED dot free linear solution for a wide range of ceiling applications.

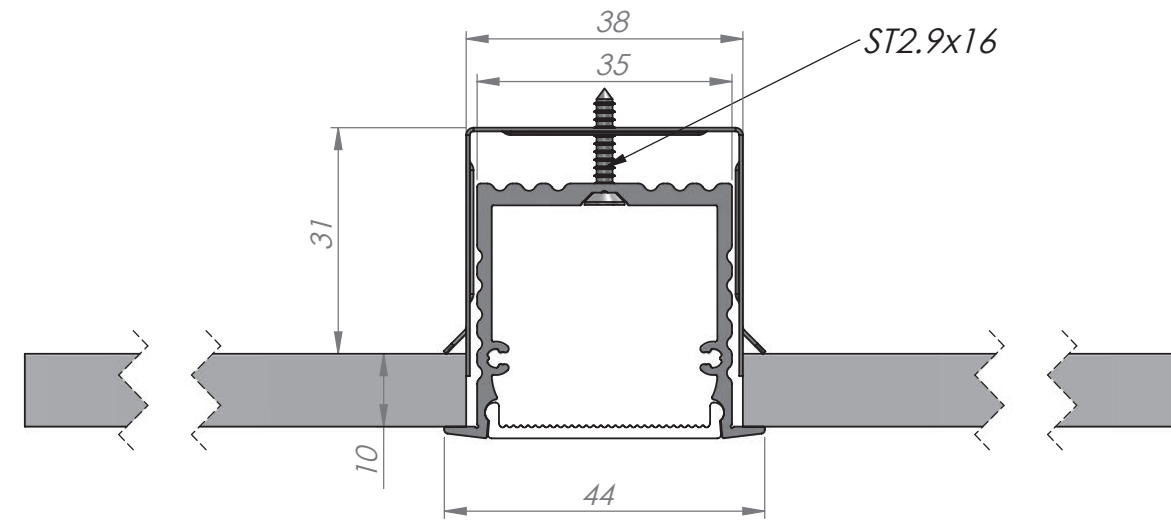


Gypsum ceiling installation.

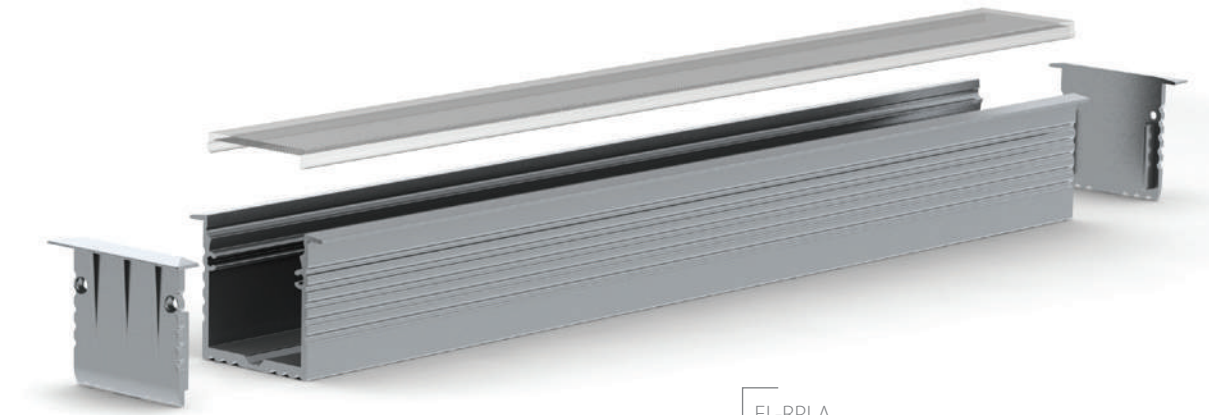
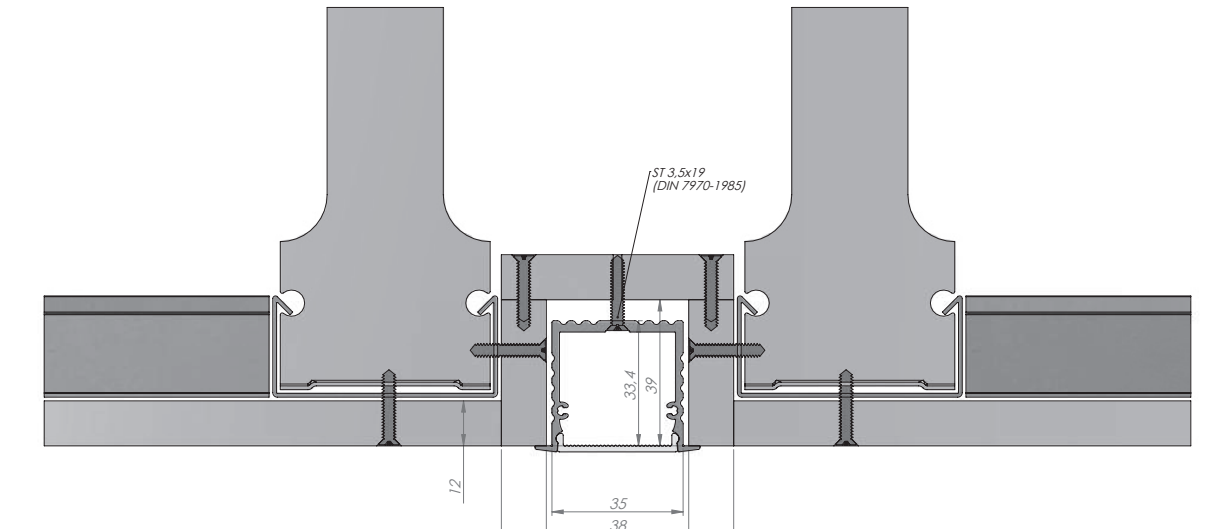


EL-RPLA
AB-PL
MC-RPLA

OPTION 1. W/OUT FIRE RESTRICTIONS



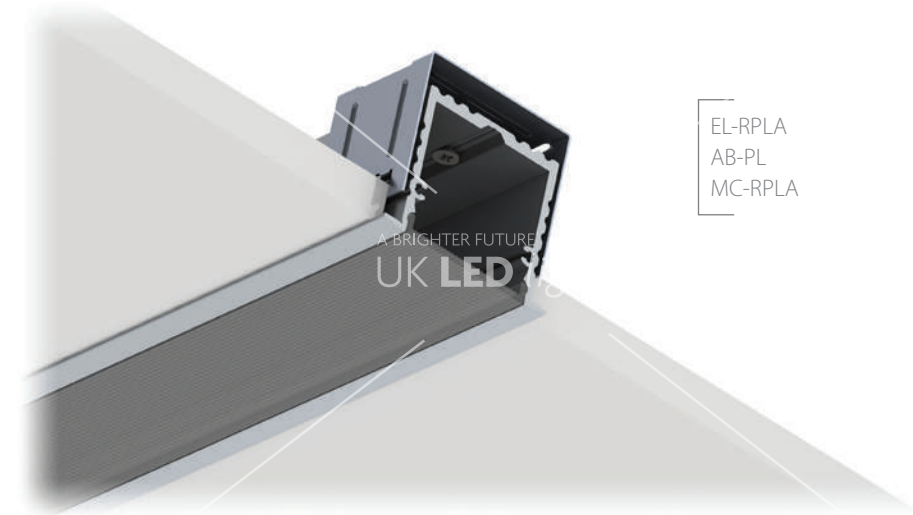
OPTION 2. WITH FIRE RESTRICTIONS



EL-RPLA
AB-PL
EC-RPLA

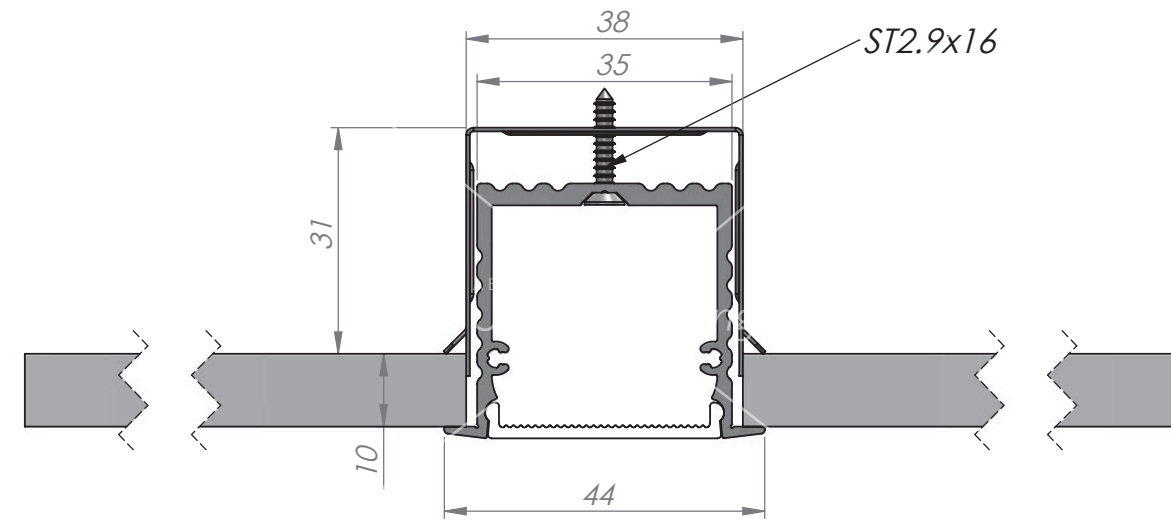
RECESSED POWER LINE 35 INSTALLATION OPTIONS

Gypsum ceiling installation.



EL-RPLA
AB-PL
MC-RPLA

OPTION 1. W/OUT FIRE RESTRICTIONS

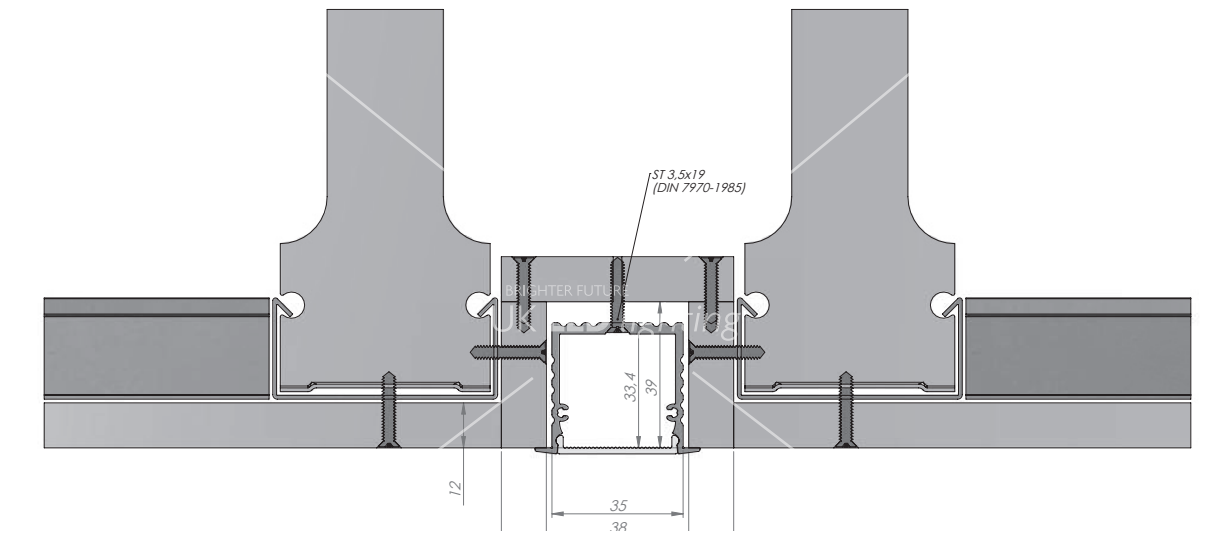


ST2.9x16

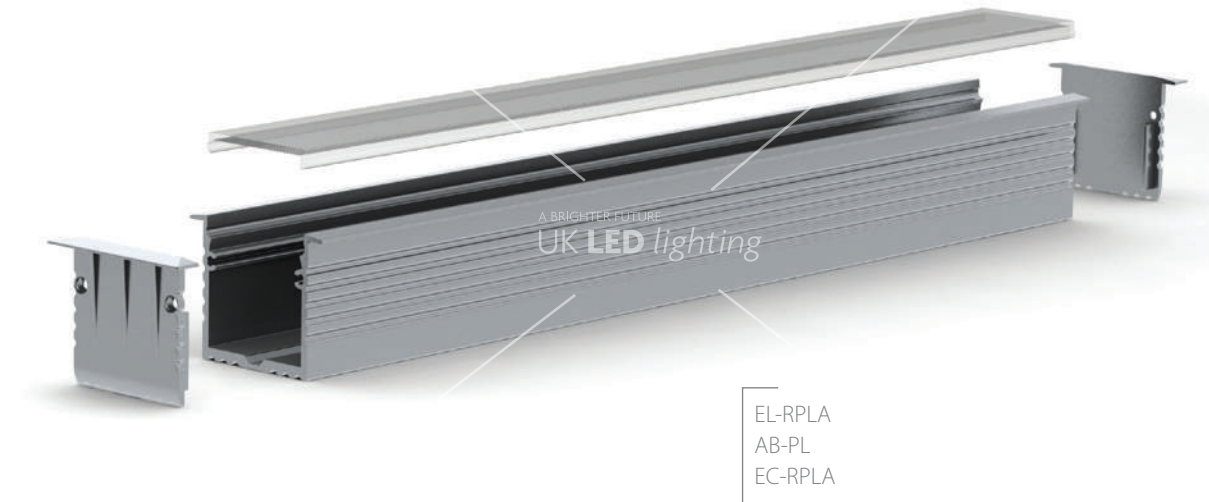


RECESSED POWER LINE 35 INSTALLATION OPTIONS

OPTION 2. WITH FIRE RESTRICTIONS



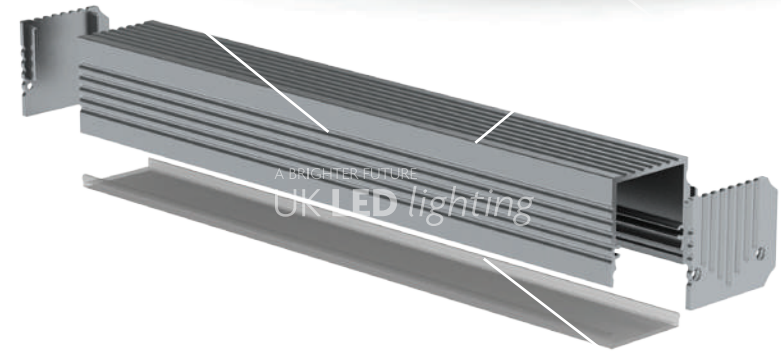
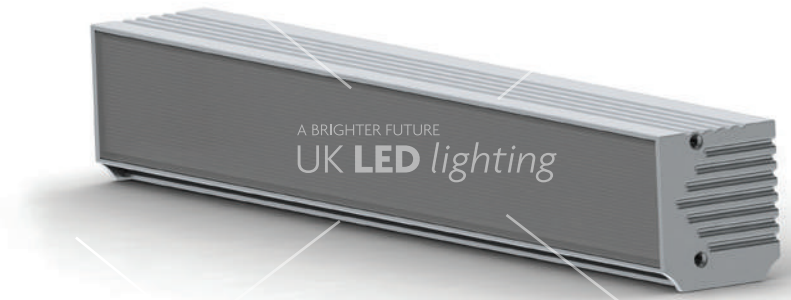
ST 3.5x19
(DIN 7970-1985)



EL-RPLA
AB-PL
EC-RPLA

PL35 ONE SIDE LIGHT OUTPUT

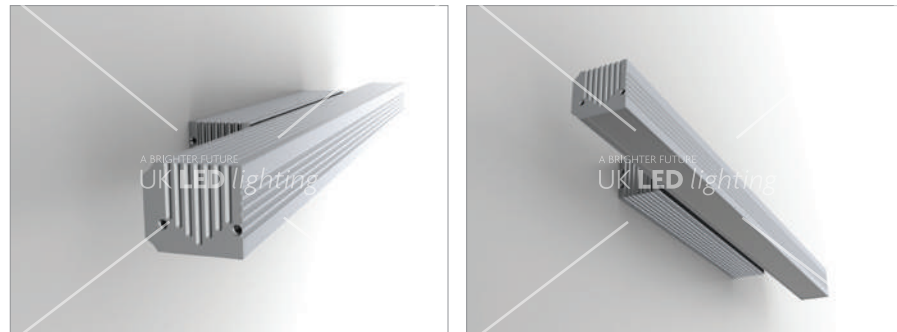
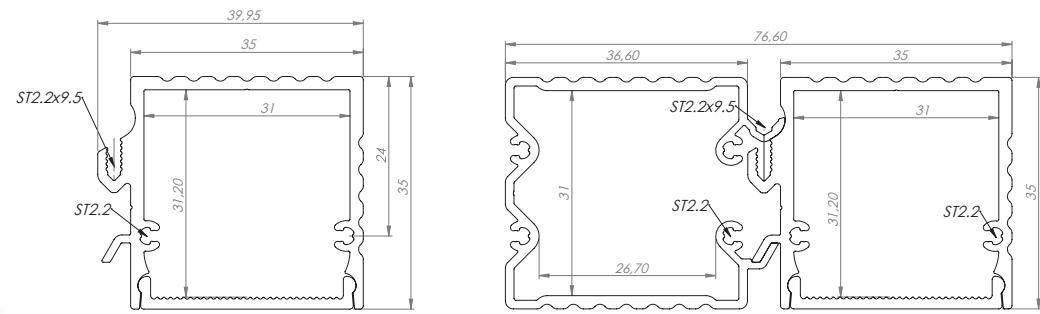
PL35S 76,6mm x 35mm with the power supplying hiding base



AL-PL35S
AB-PL
EC-PL35S



EC-PL35S End Caps

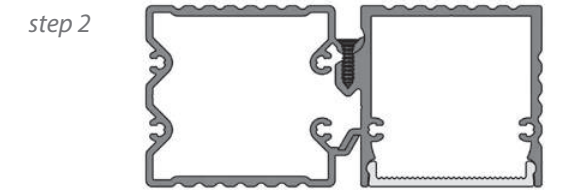
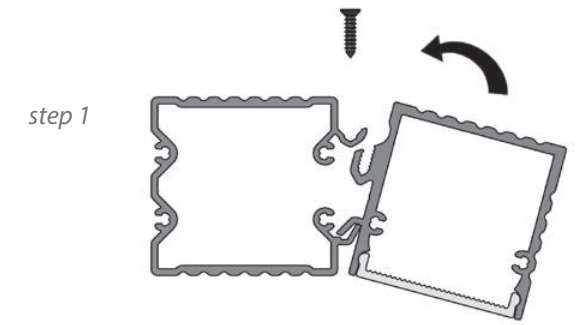


DESCRIPTION

This is a further generic modification of our very popular ceiling surface mount PL35, but designed with its own separate side wall mounting base, both to project a powerful downward wall wash illumination effect, and also to hide the wiring and power supply inside. This elegant looking profile looks just as aesthetically pleasing as a wall feature even when unlit.



PL35_SINGLE WALL LED LAMP MOUNT



BA-PL35S

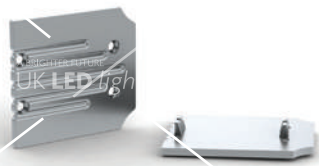
AL-PL35S



AL-PL35S

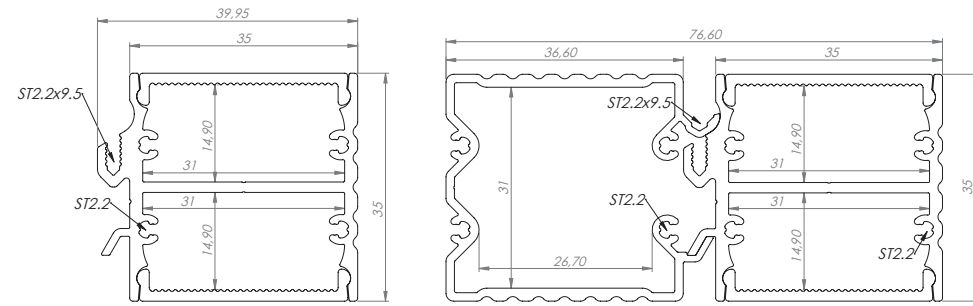
PL35 TWO SIDE LIGHT OUTPUT

PL35D 76,6mm x 35mm with the power supplying hiding base



EC-PL35D End Caps

- EL-PL35D
- AB-PL
- EC-PL35SD

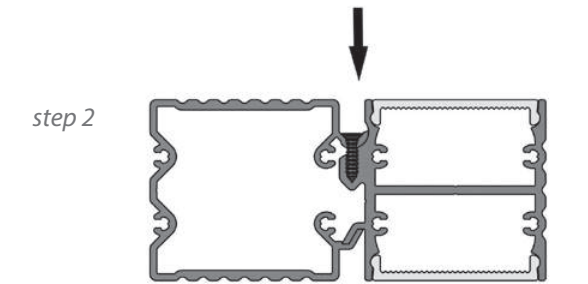
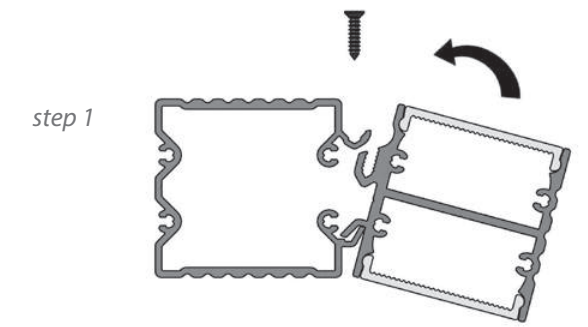


DESCRIPTION

Taken a design stage further, this housing has all of the same features of PL35 and single linear down light, including the side wall mounting base, but can wash both up and down for a very impressive versatile linear luminaire wall wash solution.

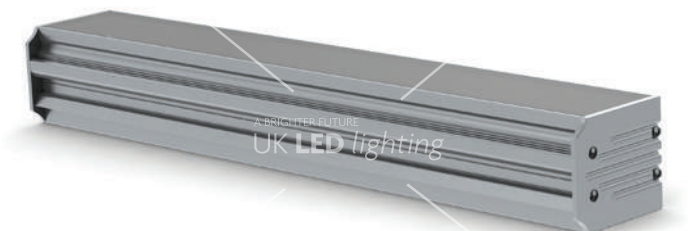


PL35_DOUBLE WALL LED LAMP MOUNT



BA-PL35D

AL-PL35D



EL-PL35D