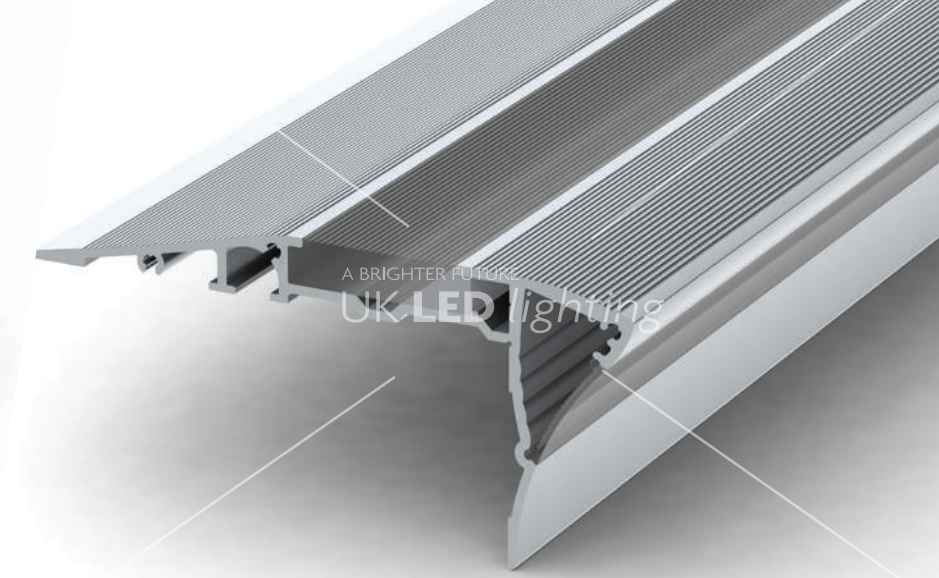
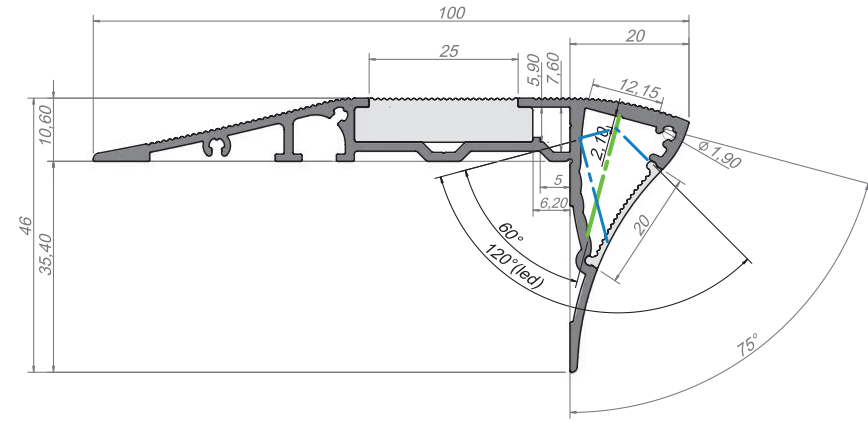


# ALU-STAIR 2 LED PROFILE

ALU-STAIR 2; 100 x 46mm

The key feature of this aluminium profile is the way it illuminates the light directly on to the stair where it is needed, but at the same time creating a soft edge of horizontal light across the diffuser so as to highlight the end step edge of each riser. This acrylic diffuser can also be replaced by an anti-slip rubber surface if required. With design matching end caps, the housing can be supplied in 1M or 2M lengths.

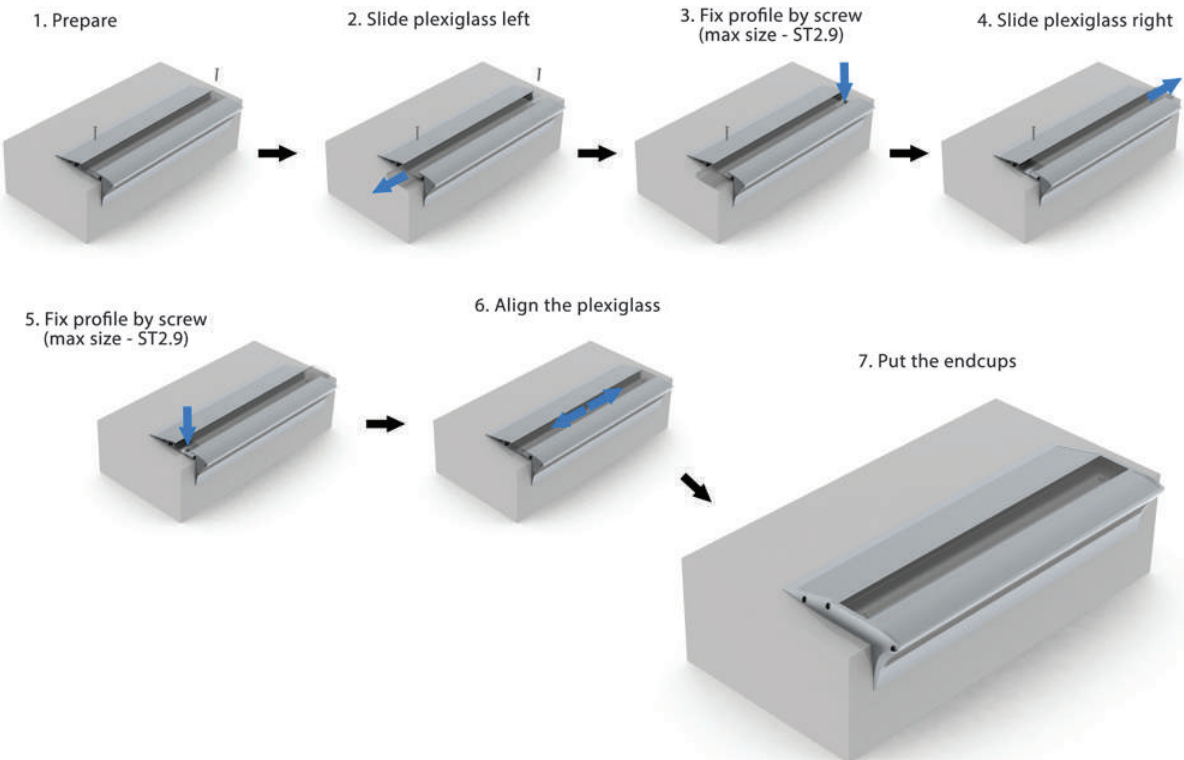
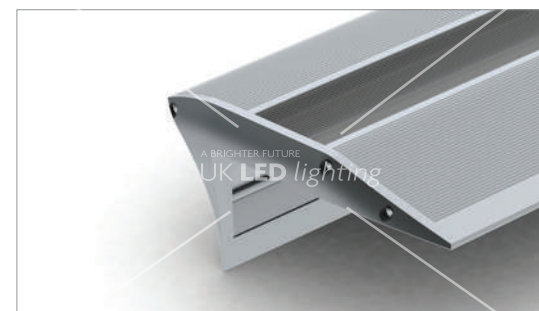


EL-ST2  
AB-STR2  
AB-STR2-AC  
EC-ST2

## ALU-STAIR 2 PROFILE MOUNT



EL-ST2  
AB-STR2  
AB-STR2-AC OR RU-STR2  
EC-ST2

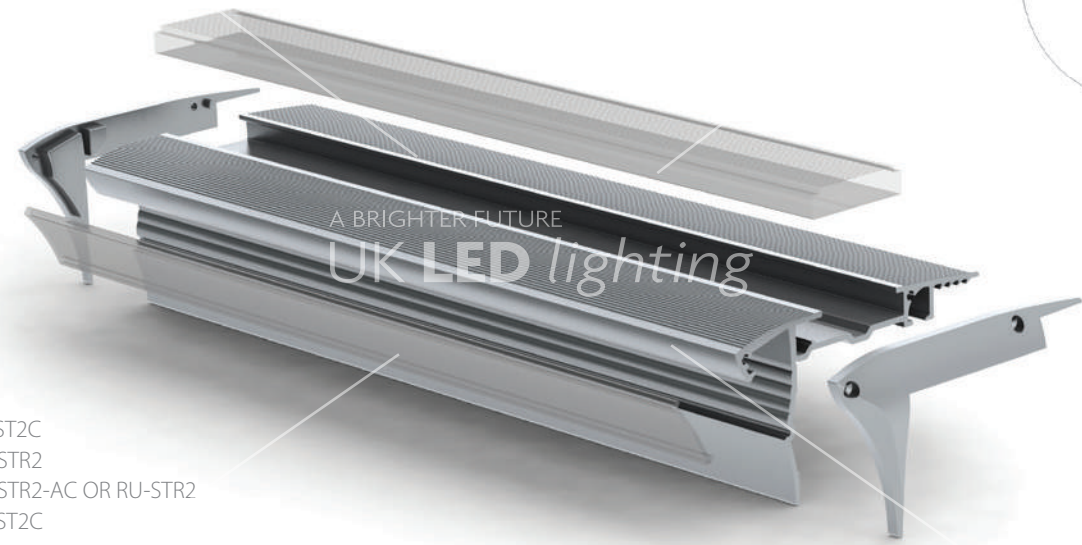
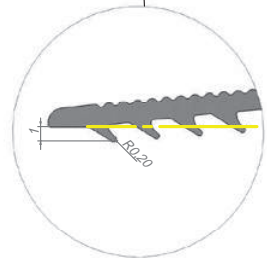
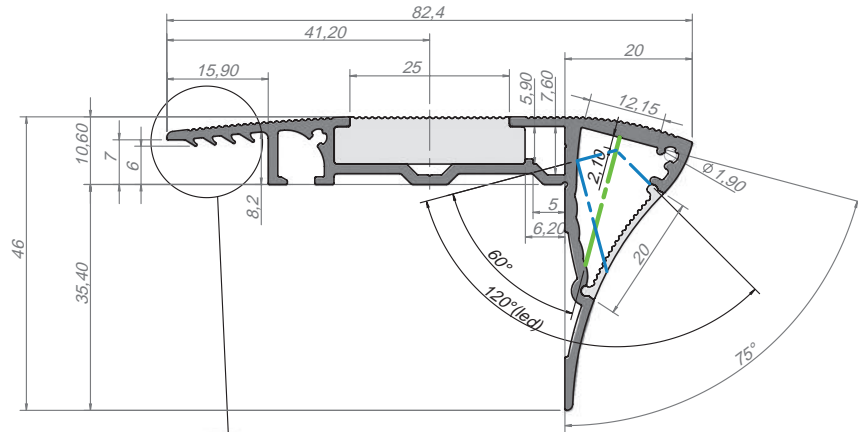


EC-ST2  
End Caps

# ALU-STAIR 2 CARPET LED PROFILE

ALU-STAIR 2 CARPET; 82 x 46mm

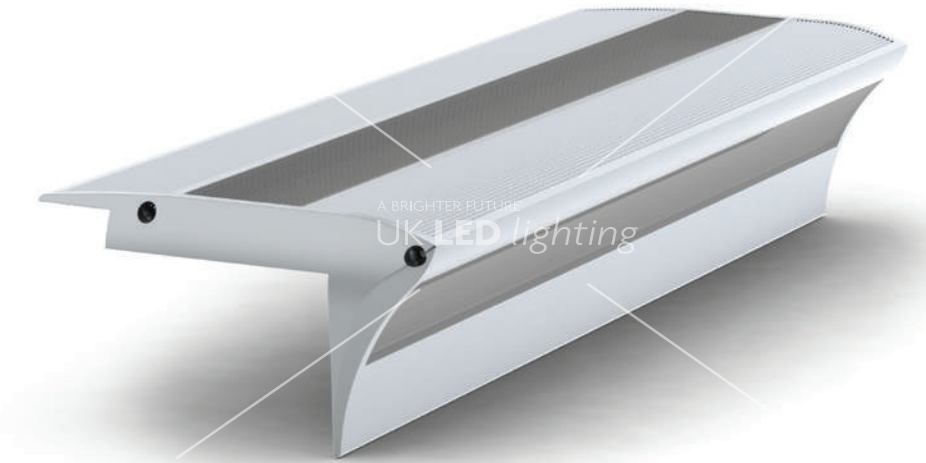
Alu Stair carpet profile is suitable for carpet thicknesses 4mm-10mm and comes with all of the key features of Alu Stair 2 including the transmission of light both onto the stair and across the horizontal linear edge of the step. An anti-slip rubber option is also available.



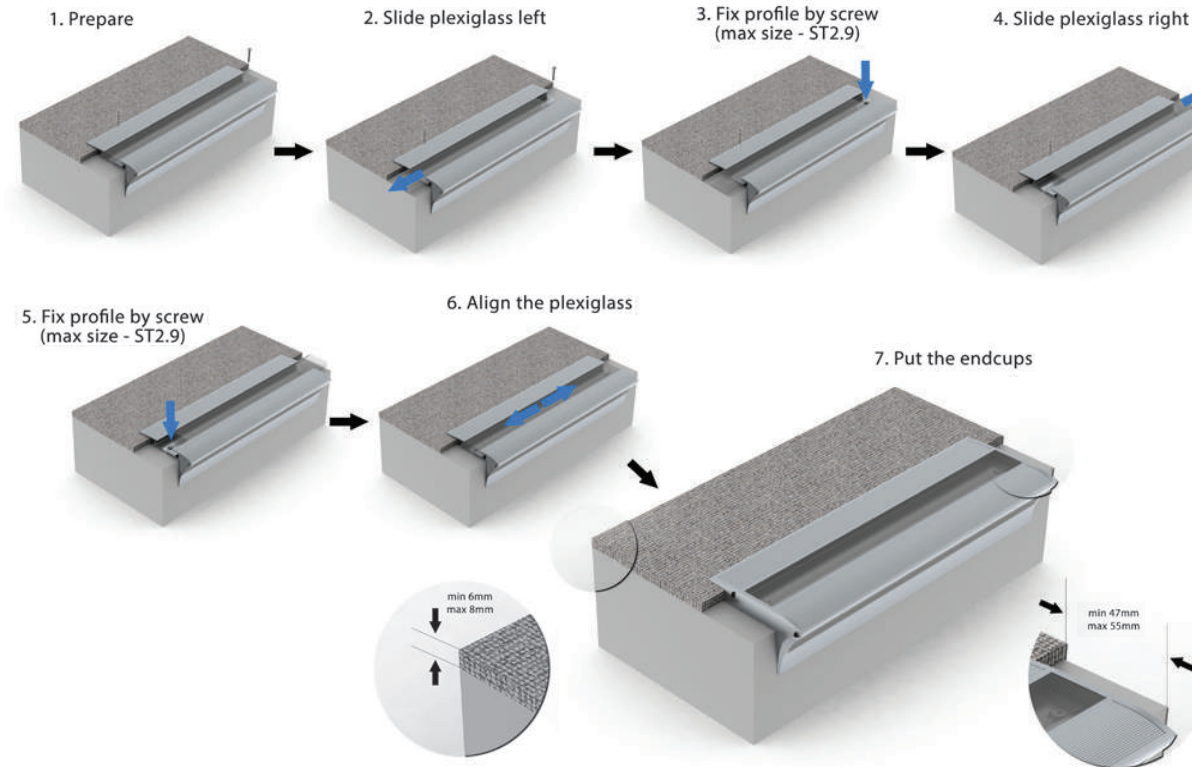
AL-ST2C  
AB-STR2  
AB-STR2-AC OR RU-STR2  
EC-ST2C



EL-ST2C



## ALU-STAIR 2 CARPET PROFILE MOUNT



EC-ST2C  
End Caps