



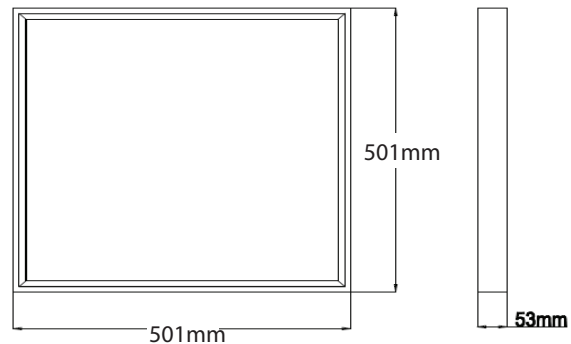
A BRIGHTER FUTURE

# UK LED lighting

## QC LED Panel Light 600X600 30W

Emergency PMMA LGP Flame retardent PC LDT /IES files 50,000 hours CE

Part No.	UKLP-SM-40-600x600-30W-ST-DA
Dimensions (mm)	495 * 495* 10 - (501*501*53 Surface Mount Kit)
LED Type	SMD 2835
Lumen	3600
CCT	3000k, 4000K , 5000k , 6000k
Beam Angle	120°
Power Consumption	30 Watts
Volt/AC	100-240
Efficiency	120 Lumen per watt
Diffuser options	Standard UGR<24, Diamond Prismatic UGR<22 ,Crystal View UGR<19
Dimmable / Driver options	DALI , 1-10v, Flicker free
Material	Polycarbonate , PMMA (fire retardent V2)
Accessories	Suspension Kits, Surface mount kits



### Part numbering key

