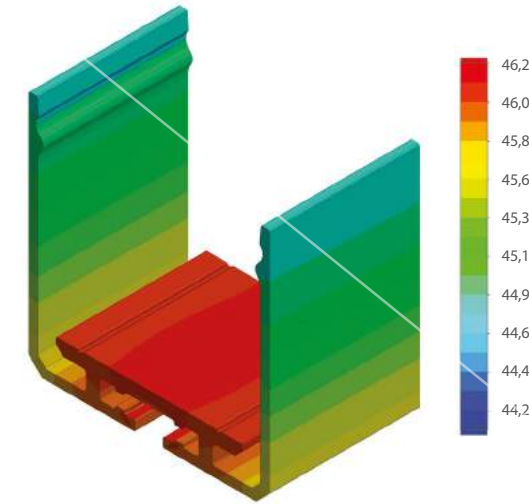
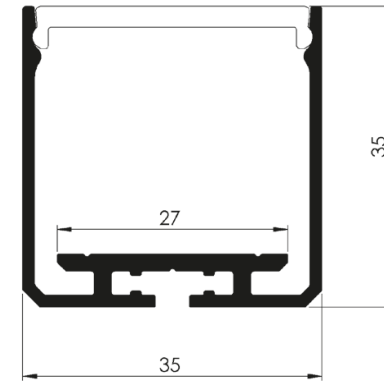


SPL35 TRIMLESS & SURFACE LED PROFILE

SPL35 35 x 35mm

This trimless mid power profile (30W/M) has been designed to handle high performance LED's and comes with a choice of 3 x 30mm wide diffuser options including prismatic for high light transmission. With such high efficiency, this trimless fitting is ideal as a ceiling recessed fixture for gypsum ceilings both to enhance the visual effect, as well as replacing less efficient light sources.



Temperature (Solid) [°C]
 Temperature ambient: 25°C
 Total power: 36 W/m (72 LEDs)

Concept applications
 base on SPL35

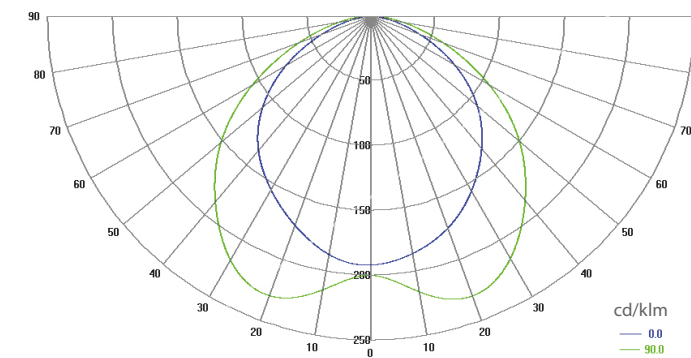
Accessories for SPL35



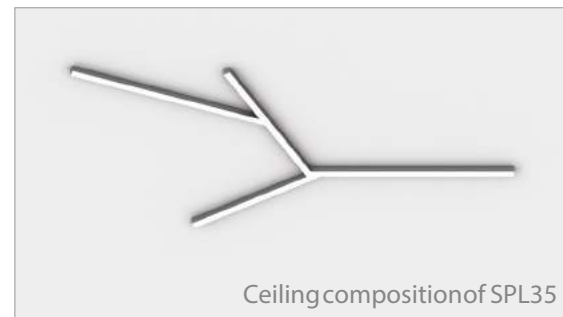
EC-SPL35 End Caps

MC-SPL35 Mounting Brackets

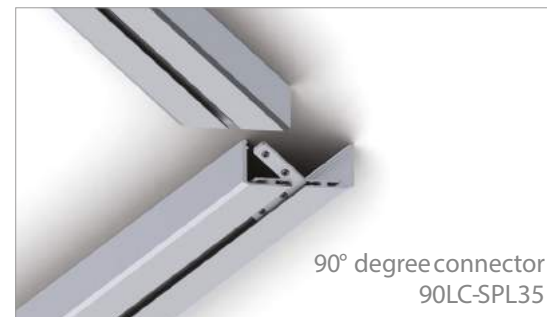
Polar Candela Distribution Plot
 Using Missed Rays



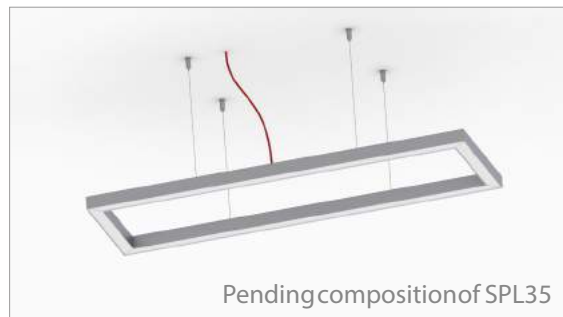
Trimless installation
 accessories for SPL35



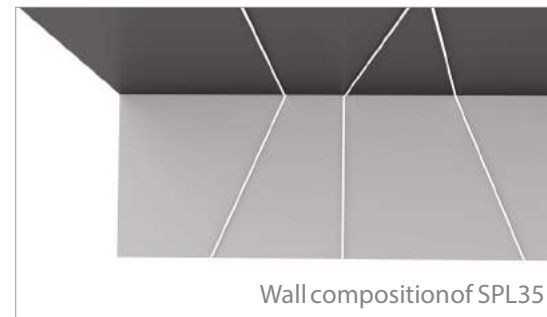
Ceiling composition of SPL35



90° degree connector
 90LC-SPL35



Pending composition of SPL35



Wall composition of SPL35

