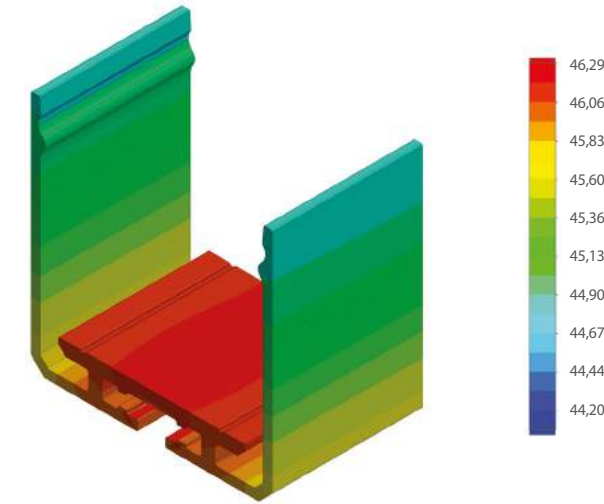
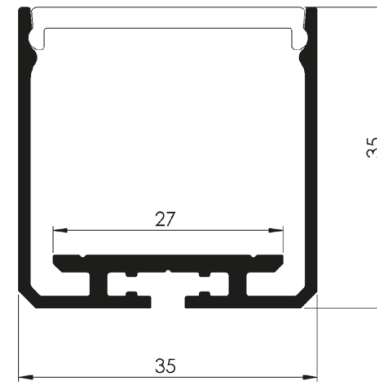


# SPL35 TRIMLESS & SURFACE LED PROFILE

SPL35 35 x 35mm

With smooth lines and compact square features, SMPL35 is a mid-power universal surface LED profile solution that can facilitate numerous main ceiling lighting applications. It comes with a choice of 3 diffusers including opal and prismatic, that creates high light transmission ratios, and with a loading of 30w/M, can accommodate a double row of LED PCB for maximum light distribution.



Temperature (Solid) [°C]  
 Temperature ambient: 25°C Concept applications  
 Total power: 36 W/m (72 LEDs) base on SPL35

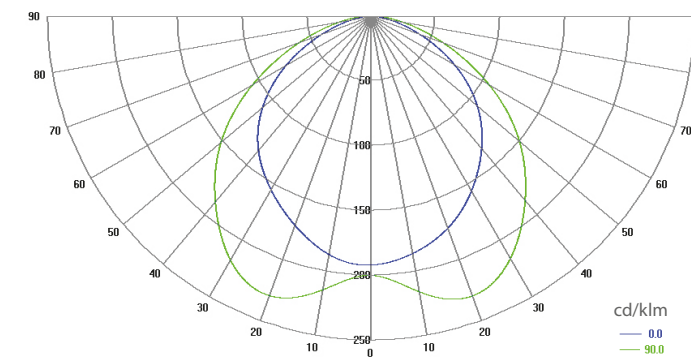
Accessories for SPL35



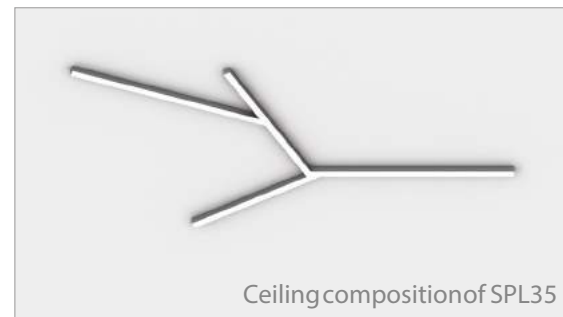
EC-SPL35 End Caps

MC-SPL35 Mounting Brackets

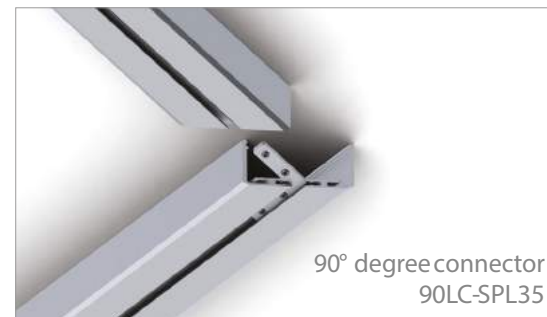
Polar Candela Distribution Plot  
 Using Missed Rays



Trimless installation accessories for SPL35



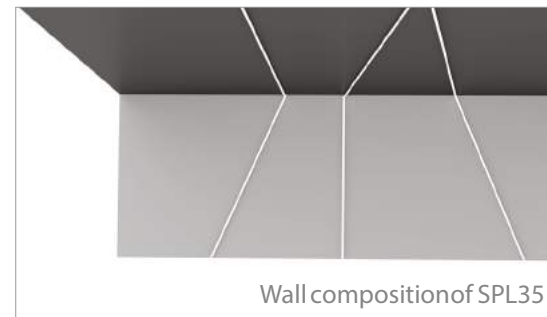
Ceiling composition of SPL35



90° degree connector  
 90LC-SPL35



Pending composition of SPL35



Wall composition of SPL35

