



A BRIGHTER FUTURE

UK **LED** *lighting*

Neo Bar RGB 16.7mm

IP54

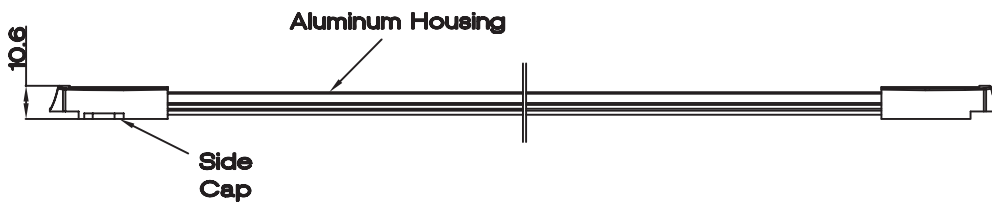
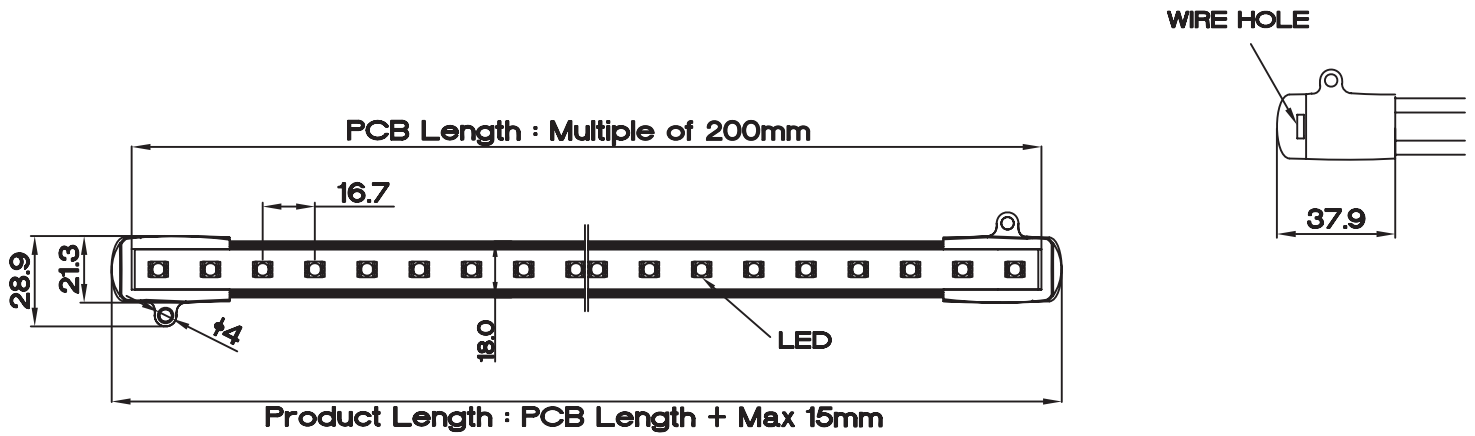
DMX Controllable

50,000 hours

CE

Part No.	E-RGB-3C2-24-200D-LSC2
LED Pitch	16.7mm
CCT	Red - 625nm / Green - 525nm / Blue - 460nm
Lumen	395
Beam Angle	120°
Power Consumption (per metre)	13 Watts
Volt/DC	24
Chip Used	5050 tri chip seoul semiconductor
PCB Length (mm)	200 / 100
End cap combined length (mm)	7+7=15
Maximum serial connection (mm)	4200
Tc point °C	45

Dimensions



Part numbering key

