



A BRIGHTER FUTURE

UK **LED** lighting

QZR 60mm Pitch Optic

LDT /IES files

IP20-65

50,000 hours life

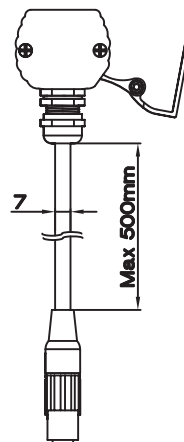
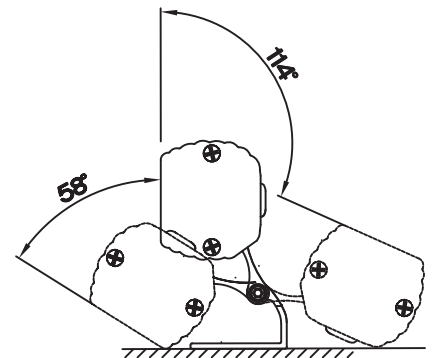
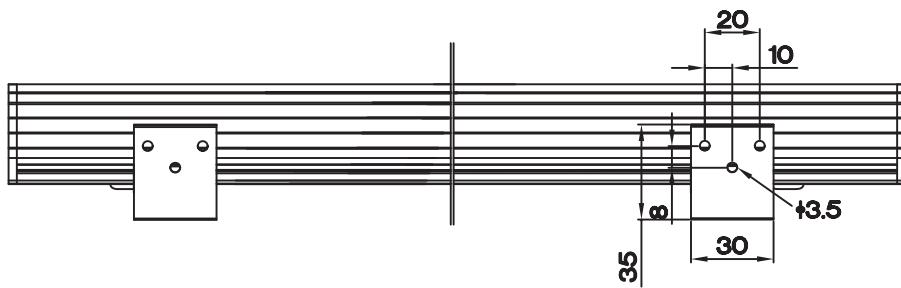
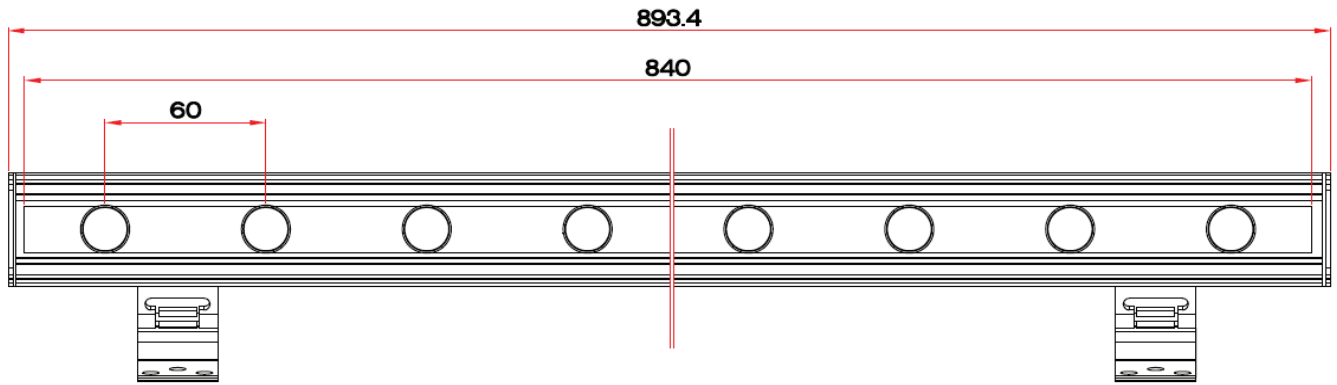
Dimmable



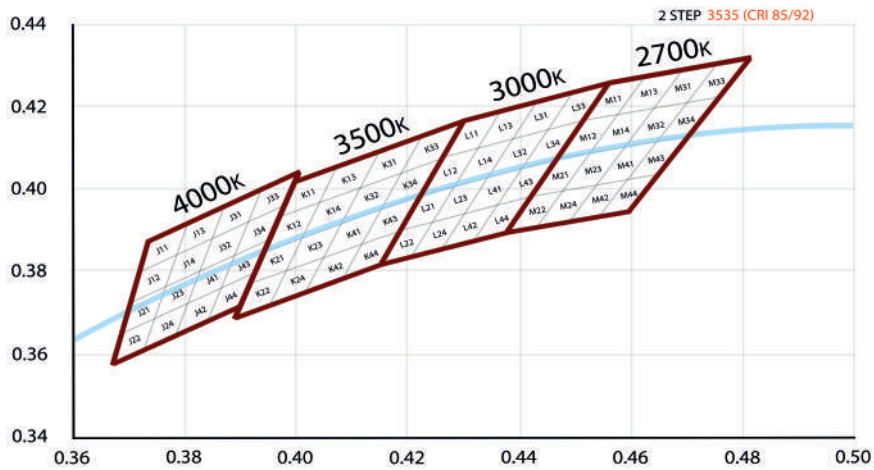
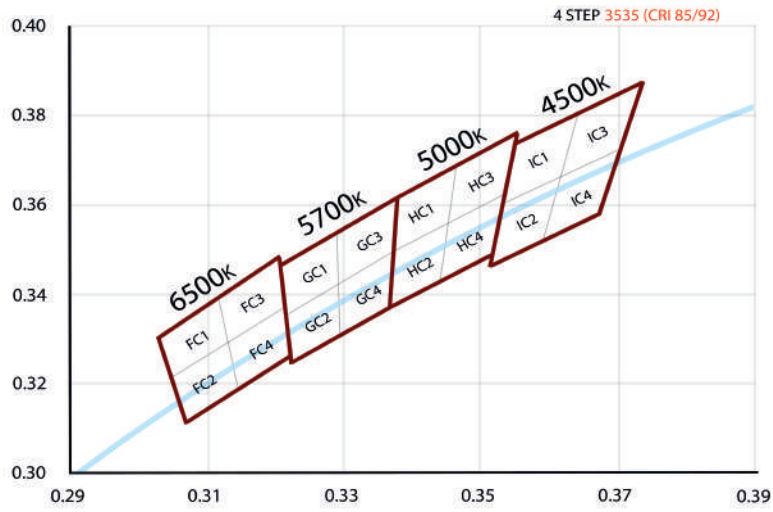
Part No.	E-1HC6-24-480-3-Q30SC2
LED Pitch	60mm
Colour CCT	2700k / 3000k / 4000k / 5700k
Lumen	1950 / 2125 / 2250 / 2500
Beam Angle Optics Available	12° / 22° / 30° / 55°
Asymmetrical Optical Options	10° x 60°
Power Consumption (per metre)	25 Watts
Volt/DC	24
Chip Used	LG / Samsung / Cree
PCB Length (mm)	480 / 240
End cap combined length (mm)	13.4 / 11.4
Maximum serial connection (mm)	4800
Tc point °C	46
Current mA	1042



Dimensions



Binning 2 Step - 4 Step MacAdam Ellipse



Part numbering key

