



A BRIGHTER FUTURE

UK **LED** *lighting*

Micro X LED Bar 15mm

LDT /IES files

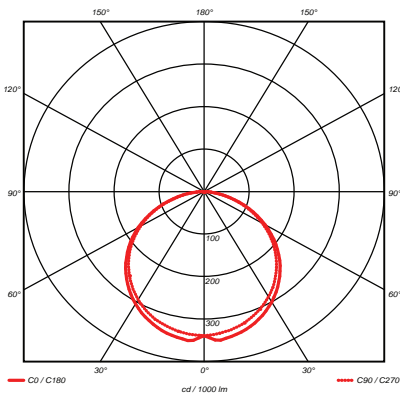
IP54

High CRI option

Dimmable

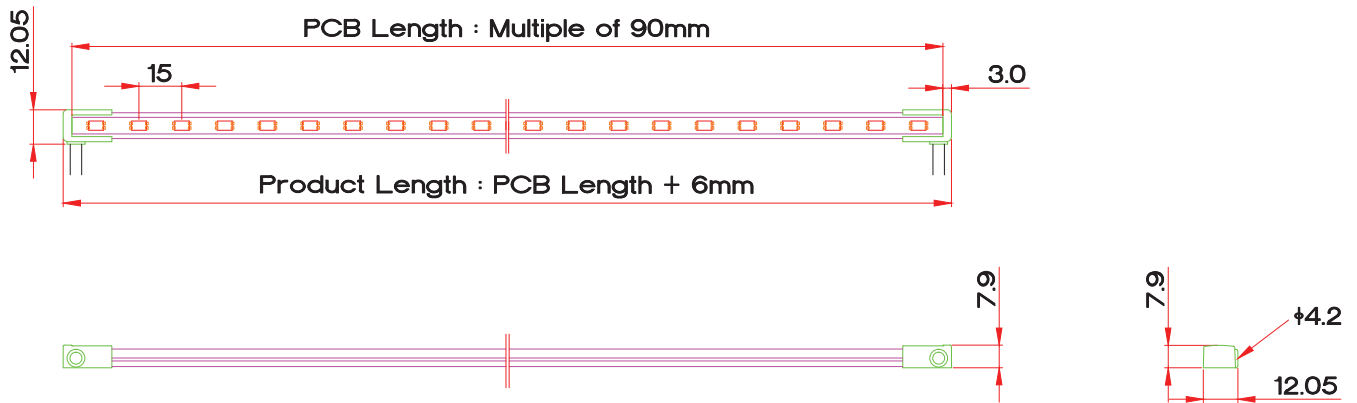


Part No.	E-28-2EC1-24-90-11-SSC2
LED Pitch	15mm
CCT	2400k / 2600k / 2800k / 3000k / 4000k / 5700k
Lumen CRI 85	1121 / 1355 / 1455 / 1589 / 1725 / 1873
CCT	2600k / 2800k / 3000k / 4000k
Lumen CRI 92	930 / 1004 / 1197 / 1285
Beam Angle	120°
Power Consumption (per metre)	17.6 Watts
Volt/DC	24
Chip Used	5630 Seoul Semiconductor
PCB Length (mm)	90/45
Flat end cap combined length (mm)	3+3=6
Straight end cap combined length (mm)	11+11=22
Maximum serial connection (mm)	2000
Tc point °C	60
Lumen/Watt	63-106

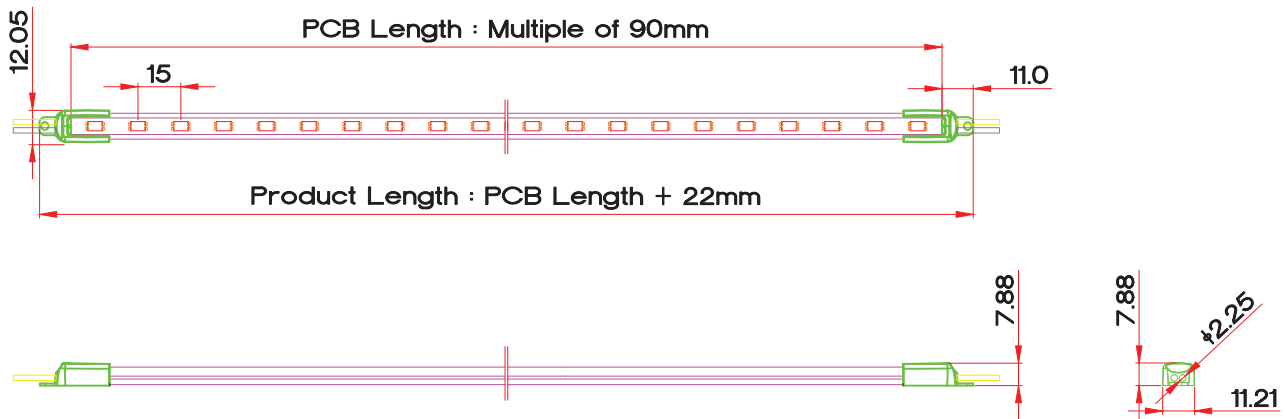


Dimensions

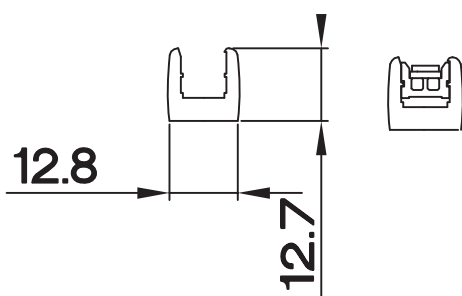
Flat end side wired end cap



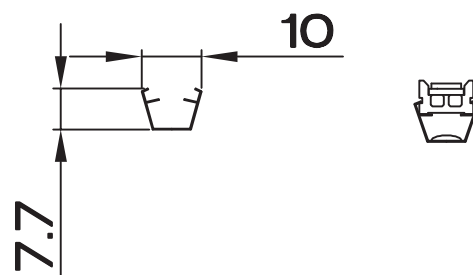
Straight end cap with fixing lug



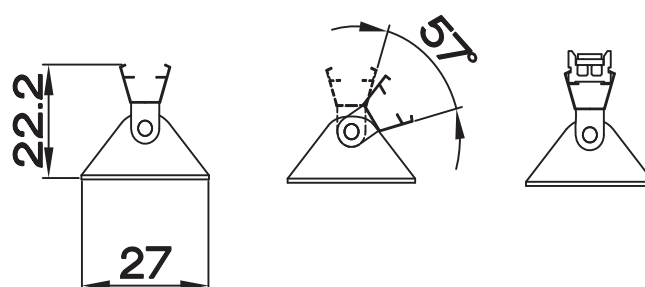
nylon fixing clip



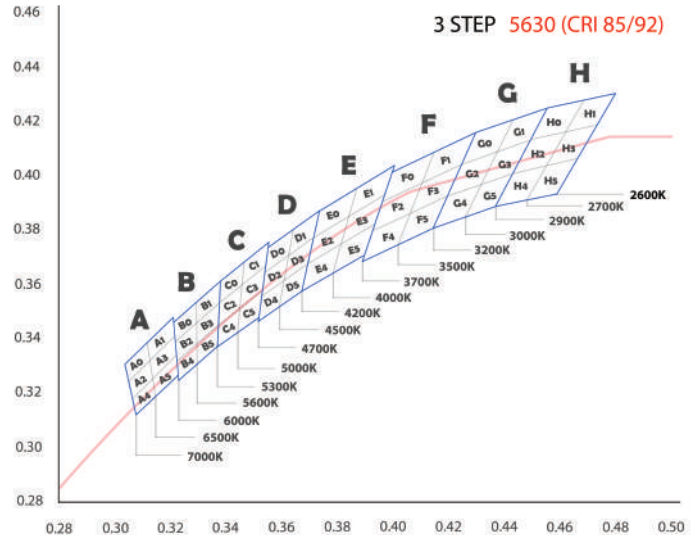
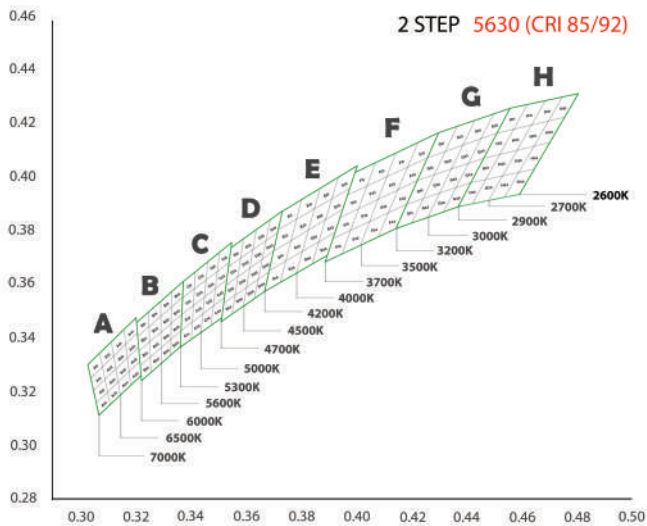
stainless steel fixing clip



adjustable stainless fixing clip



Binning 2 or 3 step MacAdam Ellipse



3 Step MacAdam Ellipse by default

Part numbering key

