



A BRIGHTER FUTURE

UK LED lighting

Micro X LED Bar 40mm

LDT /IES files

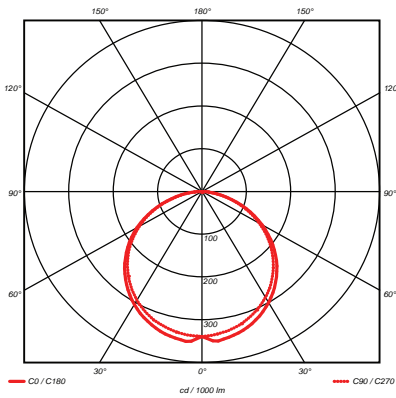
IP54

High CRI option

Dimmable

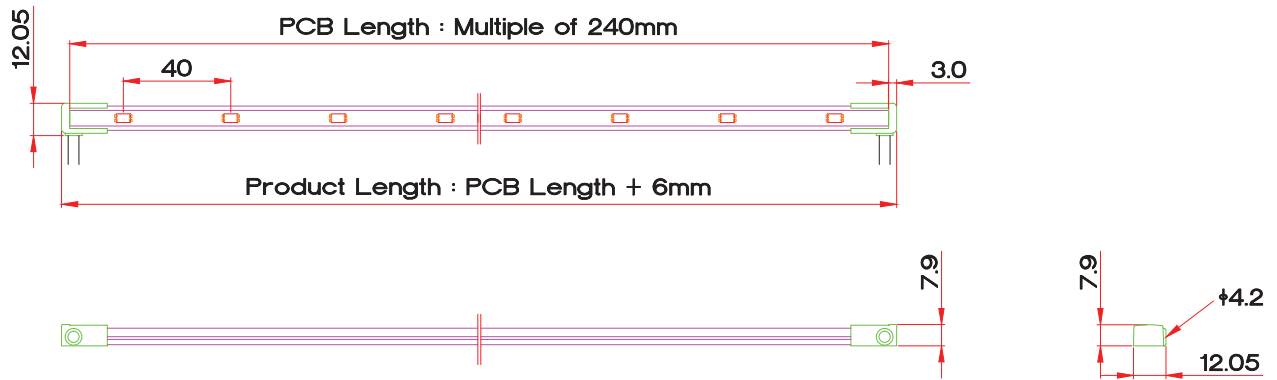


| | |
|---------------------------------------|---|
| Part No. | E-28-2EC4-24-240-4-SSC2 |
| LED Pitch | 40mm |
| CCT | 2400k / 2600k / 2800k / 3000k / 4000k / 5700k |
| Lumen CRI 85 | 562 / 680 / 730 / 797 / 866 / 940 |
| CCT | 2600k / 2800k / 3000k / 4000k |
| Lumen CRI 92 | 465 / 504 / 601 / 645 |
| Beam Angle | 120° |
| Power Consumption (per metre) | 8.8 Watts |
| Volt/DC | 24 |
| Chip Used | 5630 Seoul Semiconductor |
| PCB Length (mm) | 240 / 120 |
| Flat end cap combined length (mm) | 3+3=6 |
| Straight end cap combined length (mm) | 11+11=22 |
| Maximum serial connection (mm) | 4800 |
| Tc point °C | 45 |
| Lumen/Watt | 63-106 |

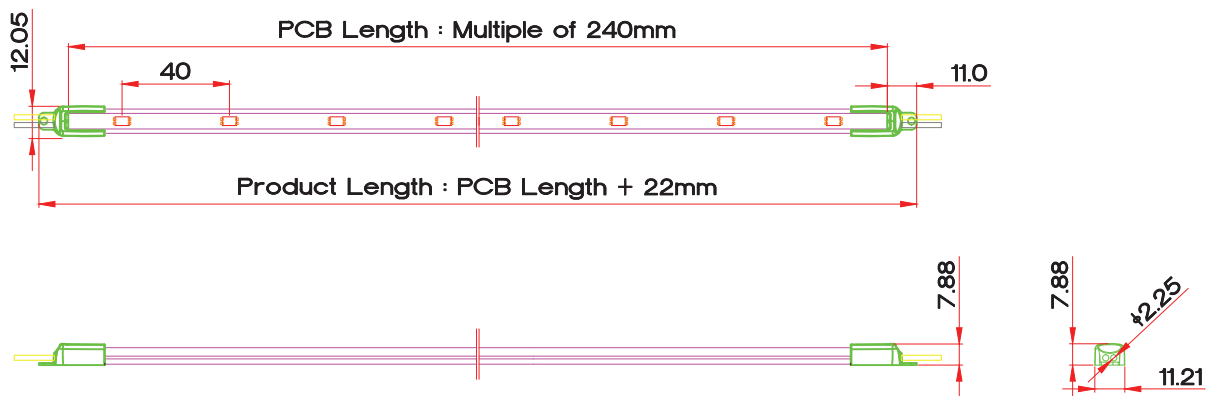


Dimensions

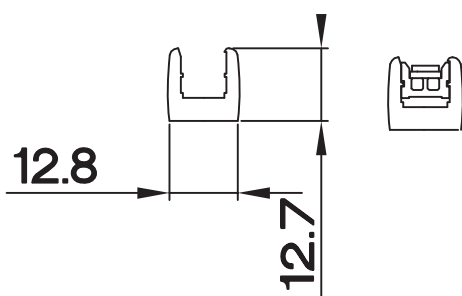
Flat end side wired end cap



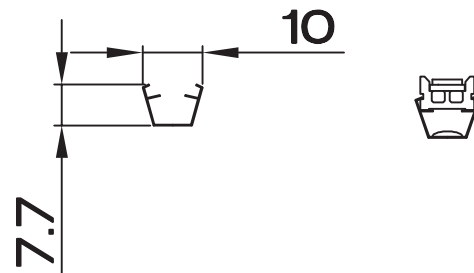
Straight end cap with fixing lug



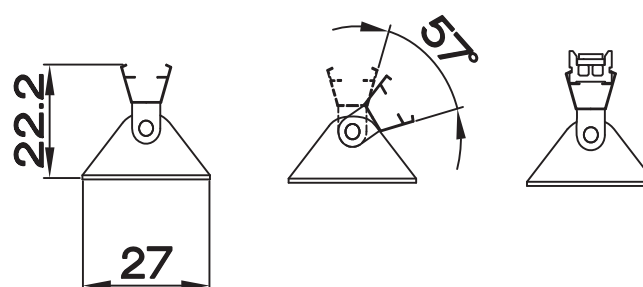
nylon fixing clip



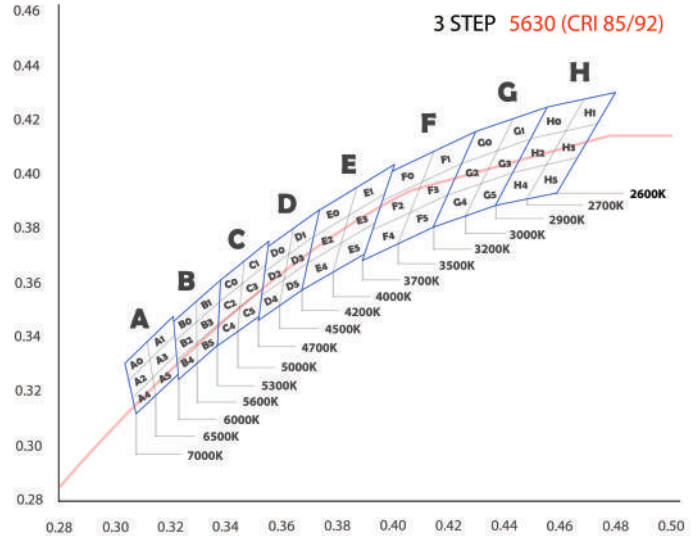
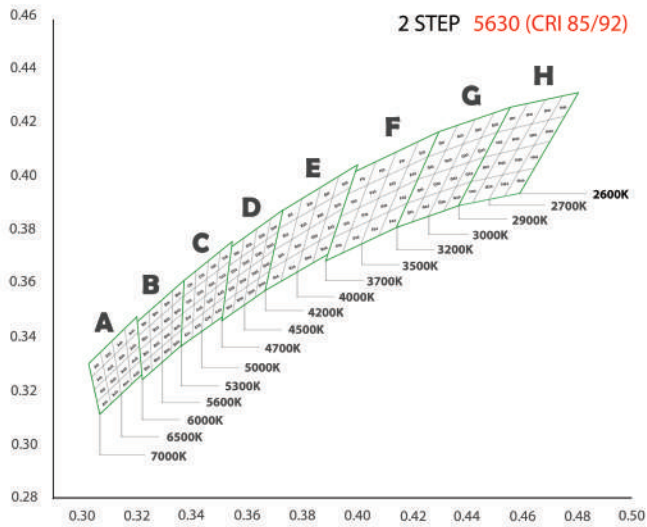
stainless steel fixing clip



adjustable stainless fixing clip



Binning 2 or 3 step MacAdam Ellipse



3 Step MacAdam Ellipse by default

Part numbering key

