



A BRIGHTER FUTURE

UK **LED** lighting

LED Panel Light 12W 300x300mm

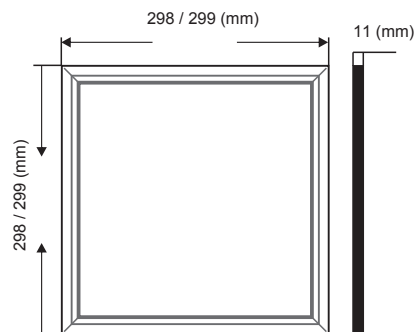
LDT /IES files

Dimmable

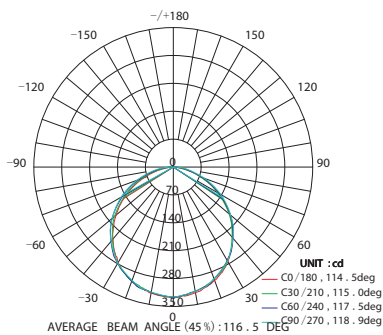
50,000 hours



Part No.	UKLP- 300X300-30-12
Dimensions (mm)	300 * 300 * 11
LED Type	SMD 2835 / SMD 4014
Lumen	900 -1100
CCT	3000k / 4000k / 5000k / 6000k
Beam Angle	120°
Power Consumption	12 Watts
Volt/AC	AC100-240



Light Distribution Curve(cd)



Lux distance curve(lux)

