

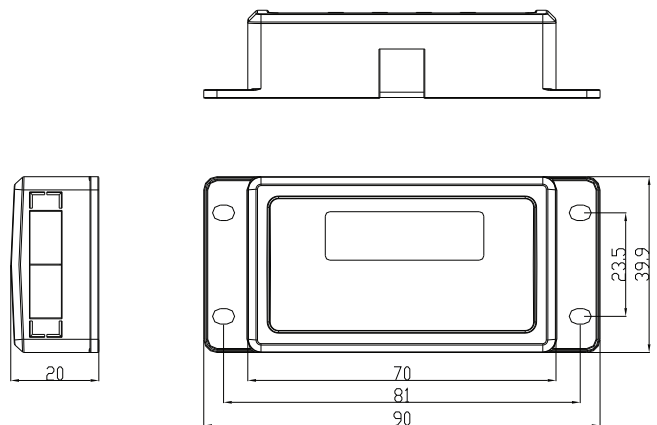
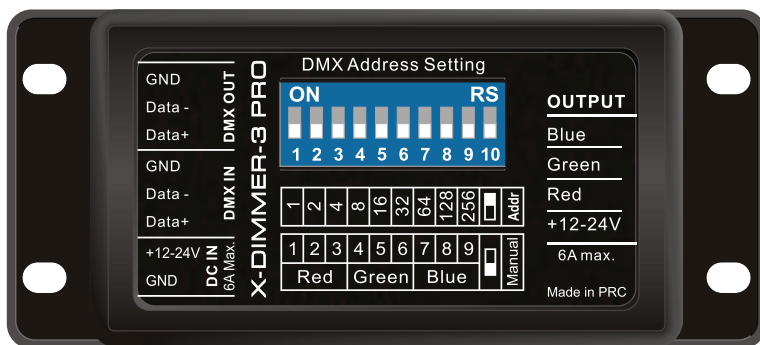


A BRIGHTER FUTURE  
**UK LED lighting**

## X-Dimmer-3 Pro

IP20 

Power Requirement	6-24VDC, 6.5A Max
Input	2pin terminal socket (for DC power) 3pin terminal socket (for DMX in)
Output	3pin terminal socket (for DMX out) 4pin terminal socket. Loading max 6A
Dimension (mm)	90 (L) x 40 (W) x 20 (H)
Weight	150g
Control	DMX-512 (1990)
Operation Temperature	0 - 40°C
Storage Temperature	-20 - 70°C



[www.ukledlighting.com](http://www.ukledlighting.com)

Head Office  
 UK LED Lighting  
 Derby Road  
 Kingsbridge  
 Devon  
 TQ7 1JL

Tel: +44 (0)1548 853878  
 Fax: +44 (0)1548 856820  
 Email: [enquiries@ukledlighting.com](mailto:enquiries@ukledlighting.com)

UK LED Lighting  
 Queens House  
 Paragon Street  
 Hull  
 East Riding of Yorkshire  
 HU1 3NQ

Tel: +44 (0)1482 506333  
 Email: [phil.irvin@ukledlighting.com](mailto:phil.irvin@ukledlighting.com)

UK LED Lighting  
 8 Grange Close  
 Buckingham  
 Buckinghamshire  
 MK18 1JJ

Tel: +44 (0)1280 817284  
 Email: [barry.mcgowan@ukledlighting.com](mailto:barry.mcgowan@ukledlighting.com)