



A BRIGHTER FUTURE

UK **LED** lighting

QZR 30mm Pitch Optic

LDT /IES files

IP20-65

50,000 hours life

Dimmable



Part No.	E-30-1HC3-24-240-4-Q30SC2
LED Pitch	30mm
Colour CCT	2700k / 3000k / 4000k / 5700k
Lumen	3250 / 3542 / 3750 / 4167
Beam Angle Optics Available	12° / 22° / 30° / 55°
Asymmetrical Optical Options	10° x 60°
Power Consumption (per metre)	40 Watts
Volt/DC	24
Chip Used	LG / Samsung / Cree
PCB Length (mm)	240 / 120
End cap combined length (mm)	13.4 / 11.4
Maximum serial connection (mm)	4800
Tc point °C	60
Current mA	1736



Head Office
UK LED Lighting
Derby Road
Kingsbridge
Devon
TQ7 1JL

Tel: +44 (0)1548 853878
Fax: +44 (0)1548 856820
Email: enquiries@ukledlighting.com

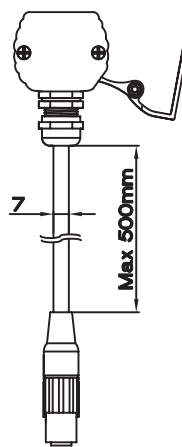
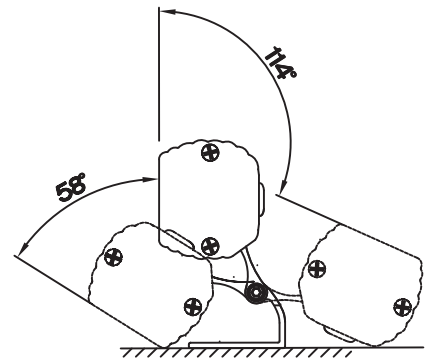
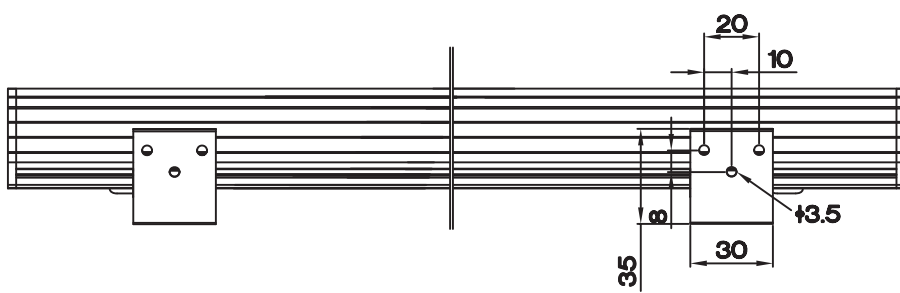
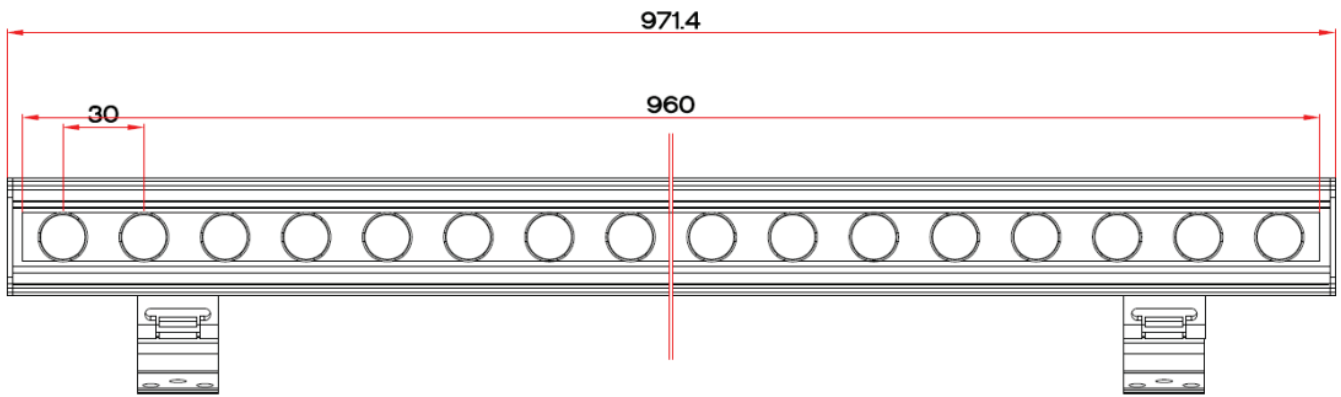
UK LED Lighting
Queens House
Paragon Street
Hull
East Riding of Yorkshire
HU1 3NQ

Tel: +44 (0)1482 506333
Email: phil.irvin@ukledlighting.com

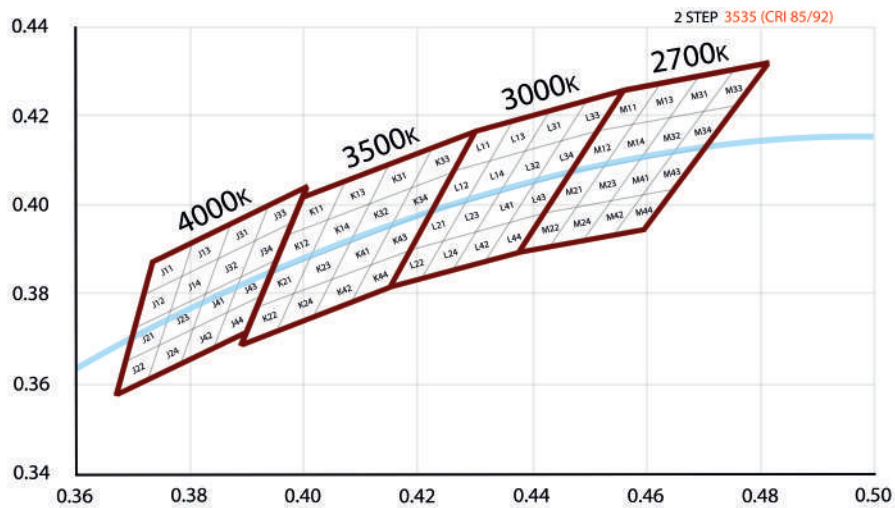
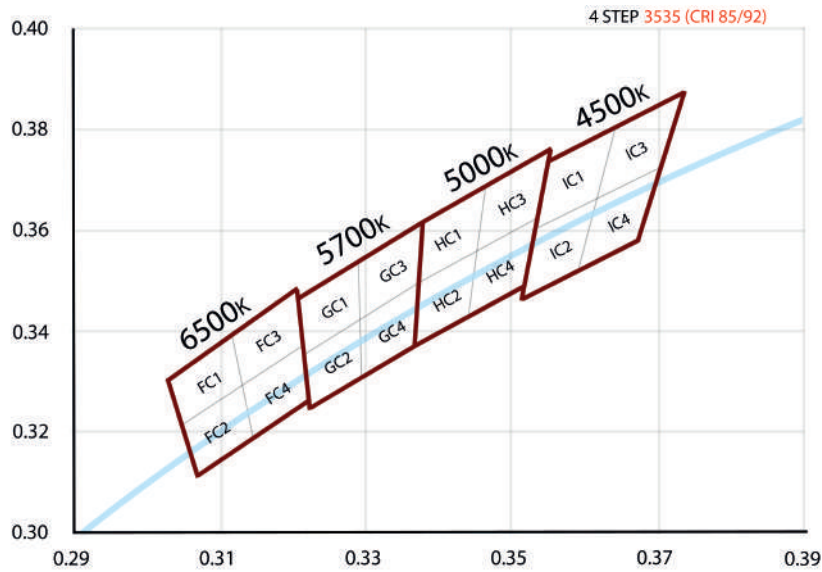
UK LED Lighting
8 Grange Close
Buckingham
Buckinghamshire
MK18 1JJ

Tel: +44 (0)1280 817284
Email: barry.mcgowan@ukledlighting.com

Dimensions



Binning 2 Step - 4 Step MacAdam Ellipse



Part numbering key

