



A BRIGHTER FUTURE

UK **LED** *lighting*

## QZR 20mm Pitch Reflector

LDT /IES files

IP20-65

50,000 hours life

Dimmable



Part No.	E-30-1HC2-24-120-5-Q60SC2
LED Pitch	20mm
Colour	2700k / 3000k / 4000k / 5700k
Lumen	1540 / 1650 / 1738 / 1826
Beam Angle	60°
Power Consumption (per metre)	22 Watts
Volt/DC	24
Chip Used	LG 5050 1W
PCB Length (mm)	120
End cap combined length (mm)	13.4 IP65 / 11.4 IP20
Maximum serial connection (mm)	7000
Tc point °C	55
Lumen / Watt	70-83



Head Office  
UK LED Lighting  
Derby Road  
Kingsbridge  
Devon  
TQ7 1JL

Tel: +44 (0)1548 853878  
Fax: +44 (0)1548 856820  
Email: [enquiries@ukledlighting.com](mailto:enquiries@ukledlighting.com)

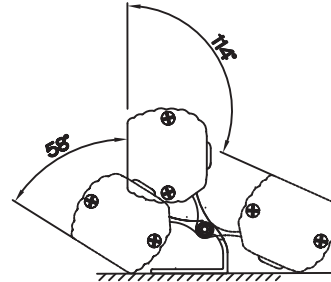
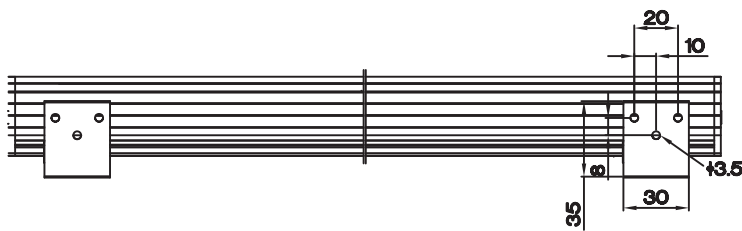
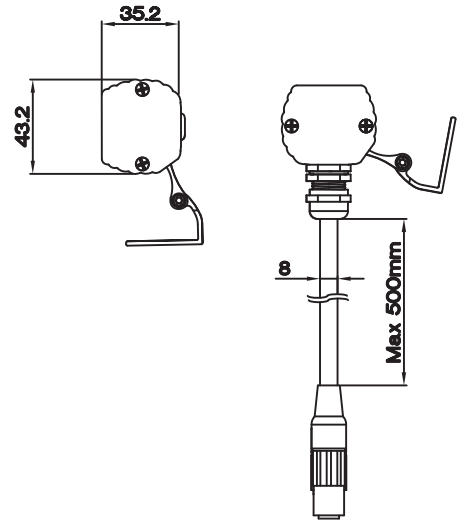
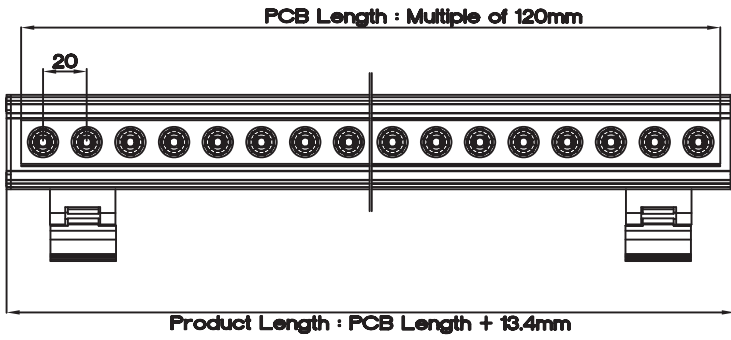
UK LED Lighting  
Queens House  
Paragon Street  
Hull  
East Riding of Yorkshire  
HU1 3NQ

Tel: +44 (0)1482 506333  
Email: [phil.irvin@ukledlighting.com](mailto:phil.irvin@ukledlighting.com)

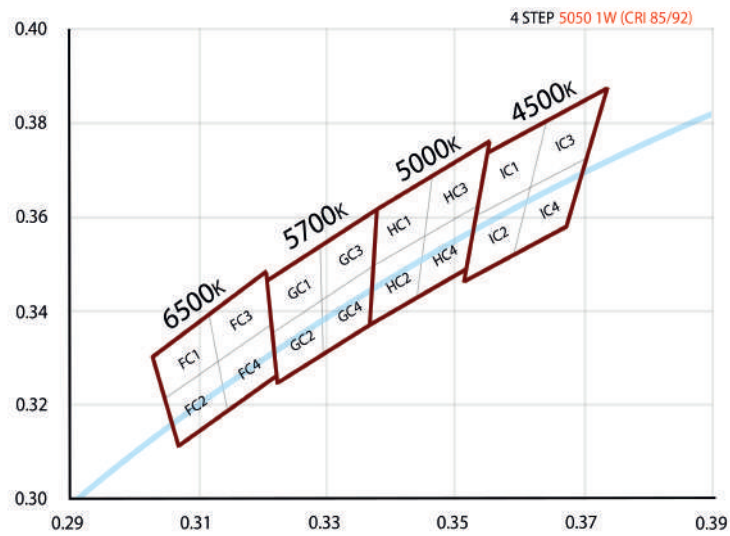
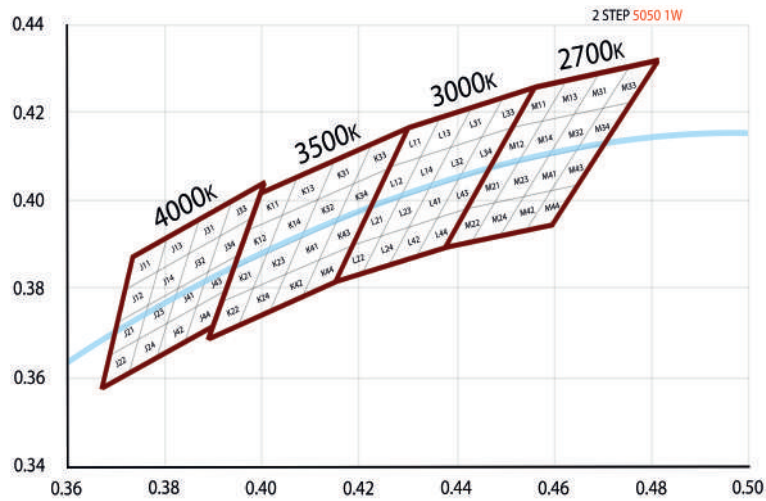
UK LED Lighting  
8 Grange Close  
Buckingham  
Buckinghamshire  
MK18 1JJ

Tel: +44 (0)1280 817284  
Email: [barry.mcgowan@ukledlighting.com](mailto:barry.mcgowan@ukledlighting.com)

# Dimensions



# Binning 2 Step - 4 Step MacAdam Ellipse



## Part numbering key

